

## MODEL TMPRT - SURFACE MOUNT AND PIPE PLUG RTD SENSORS



**SURFACE MOUNT**



**PIPE PLUG**

## MODEL TMPRT - ADVANCED DESIGN SURFACE MOUNT RTD SENSOR

### GENERAL DESCRIPTION

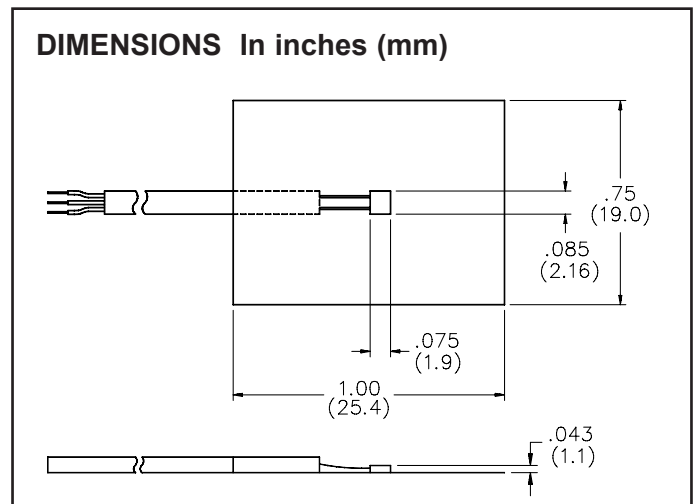
Model TMPRT "stick-on" style RTD temperature sensor mounts on flat surfaces and provides Class B accuracy for critical monitoring applications. Based on a bare 2 X 2 X 0.08 mm thin film platinum RTD, the unit is supplied in a Neoflon PFA insulated configuration and can be easily applied using its self-adhesive backing. Some of the applications of this versatile RTD sensor include monitoring chip, heat sink, and environmental temperatures in electronic devices; checking piping or ducting temperatures; monitoring motor and transformer core heat; testing insulation capabilities, as well as checking other applications in which surface and/or gradient temperatures need to be monitored and controlled.

- 100 Ω DIN CLASS B (± 0.12 % AT 0 °C) ACCURACY STANDARD
- EASY-INSTALLATION SILICONE BASED, SELF BACKING RATED TO 260 °C (500 °F)
- SENSOR CAN BE REAPPLIED
- STRIPPED 3 WIRE LEADS (CONNECTORS SOLD SEPARATELY)
- 10 FOOT LEAD LENGTH
- IDEAL FOR FLAT OR CURVED SURFACES

### SPECIFICATIONS

- MINIMUM/MAXIMUM TEMPERATURE:**  
-73 °C (-100 °F) to 260 °C (500 °F) continuous
- SENSING ELEMENT:** 100 Ω at 0 °C (32 °F)  
Temperature coefficient of 0.00385 Ω/Ω/°C (IEC60751)
- ACCURACY:** ± 0.12% at 0 °C (DIN Class B)
- RESPONSE TIME:** Less than 0.9 sec (63% response time in water flowing at 3 feet per second), less than 2 sec response time on a hot plate.
- LEAD WIRE:** 10 foot 26 AWG stranded nickel plated copper, Neoflon PFA-insulated and jacket cable
- ADHESIVE PAD DIMENSIONS:** 1 x ¾" (25 X 19 mm)

### DIMENSIONS In inches (mm)



### ORDERING INFORMATION

MODEL NO.	DESCRIPTION	INSULATION TYPE	TERMINATION (COLD SIDE)	CABLE LENGTH (IN FEET)	PART NUMBER
TMPRT	SMT RTD	NEOFロン PFA	Stripped Wire Bare Ends	10	TMPRT001

# MODEL TMPRT - PIPE PLUG RTD SENSOR

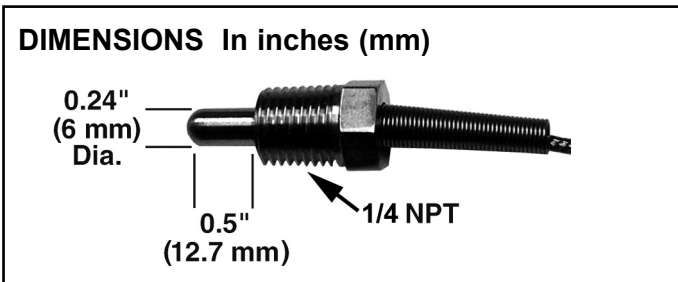
## GENERAL DESCRIPTION

The pipe plug RTD sensor is a unit specially designed for use in pressure vessel applications. Its 3 wire construction provides connectivity to most hand held instruments with Red/Red/White per IE/ASTM-E-1137. The unit features a high accuracy 100 Ω Class A DIN platinum element and steel braided, Neoflon PFA insulated wires for the necessary durability and protection demanded by harsher environments.

- IDEAL FOR USE IN PRESSURE VESSEL APPLICATIONS, 172 BAR (2500 PSI) MAXIMUM
- 6 MM (0.24") DIAMETER, SST PROBE
- STEEL BRAIDED, NEOFロン PFA INSULATED LEAD WIRES
- HIGH ACCURACY 100 Ω CLASS A DIN PLATINUM ELEMENT (ALPHA = 0.00385)
- STRAIN RELIEF SPRING

## SPECIFICATIONS

1. WIRE: 6' long 26 AWG insulated Neoflon PFA
2. MAX TEMPERATURE: 230 °C (450 °F)
3. TERMINATION: Stripped bare wire ends
4. OVERBRAID: Stainless Steel
5. THREADS: 1/4" NPT
6. SENSING ELEMENT END DIAMETER: 0.24" (6mm)



## ORDERING INFORMATION

MODEL NO.	DESCRIPTION	CABLE LENGTH (IN FEET)	TERMINATION (COLD SIDE)	PART NUMBER
TMPRT	Pipe Plug RTD Sensor	6'	Stripped Bare Wire Ends	TMPRT002

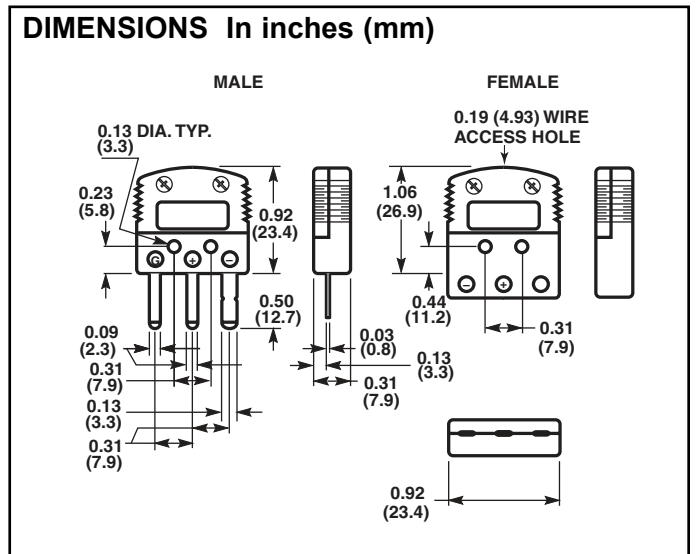
# MODEL TMPCN - RTD PROBE CONNECTORS

## GENERAL DESCRIPTION

RTD Mini Connectors are for use with RTD probes. They are miniature size, and are available in both male and female termination.

## SPECIFICATIONS

1. CONNECTOR BODY MATERIAL: Glass Filled Nylon, for temperature ranges of -29 to 220 °C.
2. CONNECTOR BODY COLOR: White
3. WIRE GAGE: Accepts stranded or solid wire up to 20 AWG
4. WIRE TERMINATION: Combination Phillips/Slot Screws
5. CONNECTOR ENDS: Copper



## ORDERING INFORMATION

MODEL NO.	DESCRIPTION	TYPE	TERMINATION	PART NUMBER
TMPCN	RTD Miniature Male Connector	U	Male	TMPCNM09
	RTD Miniature Female Connector	U	Female	TMPCNM10