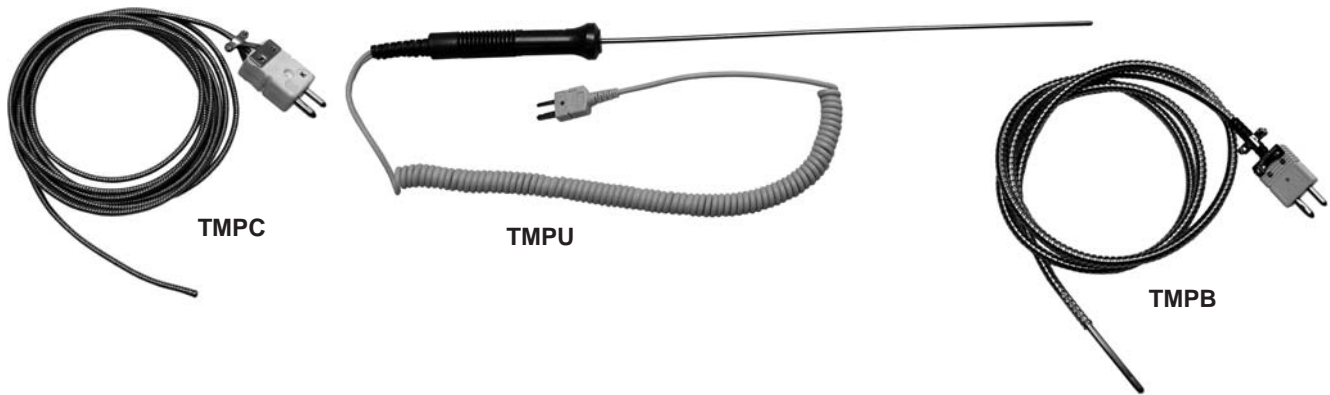


## MODELS TMPC, TMPU, & TMPB THERMOCOUPLES



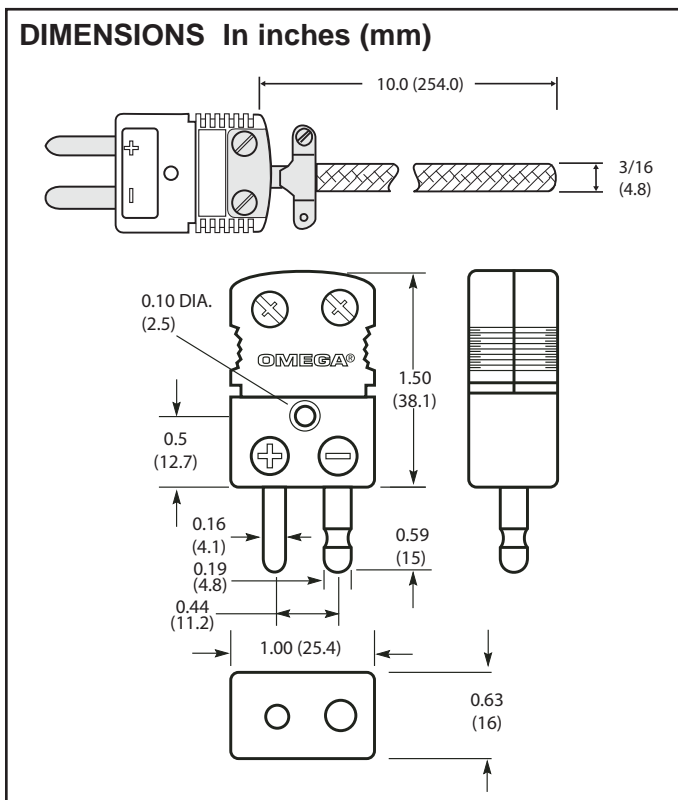
### MODEL TMPC - HIGH TEMPERATURE THERMOCOUPLE

#### GENERAL DESCRIPTION

The model TMPC thermocouple is double-protected with abrasion resistant Inconel overbraid with high temperature ceramic fiber insulation. A temperature rating of up to 980 °C (1796 °F) continuous service and 1090 °C (1994 °F) short-term service makes these probes ideal for many high temperature measurement applications. Ideal applications include profiling ovens and furnaces.

- Flexible and Abrasion Resistant
- Smooth, rounded tip on "hot" side
- Male high temperature standard size ceramic connector on "cold" side

#### DIMENSIONS In inches (mm)



#### SPECIFICATIONS

1. **WIRE:** 20 AWG, 10 feet in length; standard limits of error
2. **INSULATION:** Nextel® ceramic fiber. (Not to be exported) \*
3. **TEMPERATURE:** 980 °C (1796 °F) continuous  
1090 °C (1994 °F) short-term service depending on TC type
4. **CONNECTOR:** High temperature ceramic standard size style connector -29 to 650 °C (-20 to 1202 °F)
5. **PROBE:** Grounded TC junction with Inconel overbraid welded to form a smooth, round tip

#### ORDERING INFORMATION

MODEL NO.	DESCRIPTION	PART NUMBER
TMPC	Type K OVERBRAIDED CERAMIC TC	TMPKCF01

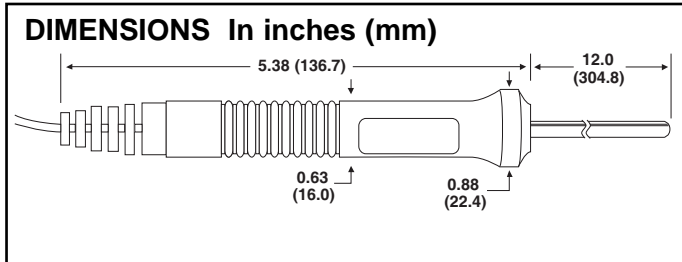
\* Nextel can not be exported. Consult factory for available options.

# MODEL TMPU - UTILITY THERMOCOUPLES

## GENERAL DESCRIPTION

Utility thermocouple probes are basic products for temperature measurement. They are typically connected to a hand held thermometer. The unit features a rugged handle that is permanently molded to a probe sheath. A retractable cable is connected with strain relief to the handle end, and termination is provided by a miniature male connector.

- *RETRACTABLE CABLE WITH SUPERIOR MEMORY*
- *MINIATURE CONNECTOR FOR USE WITH HAND HELD THERMOMETERS*
- *MOLDED HANDLE RATED TO 220 °C (428 °F)*
- *MEETS OR EXCEEDS SLE AND EN 60584-2: TOLERANCE CLASS 1*



\* For connector information see the TMPCNM01 bulletin.

## SPECIFICATIONS

1. **HANDLE TEMPERATURE RATING:** 220 °C (428 °F)
2. **THERMOCOUPLE JUNCTION:** Grounded
3. **CABLE LENGTH:** 1 foot, expands to 5 feet
4. **PROBE LENGTH:** 12 inches
5. **MAX PROBE TEMPERATURE:**  
**304SS:** 900 °C (1652 °F)  
**Inconel:** 1150 °C (2102 °F)

## ORDERING INFORMATION

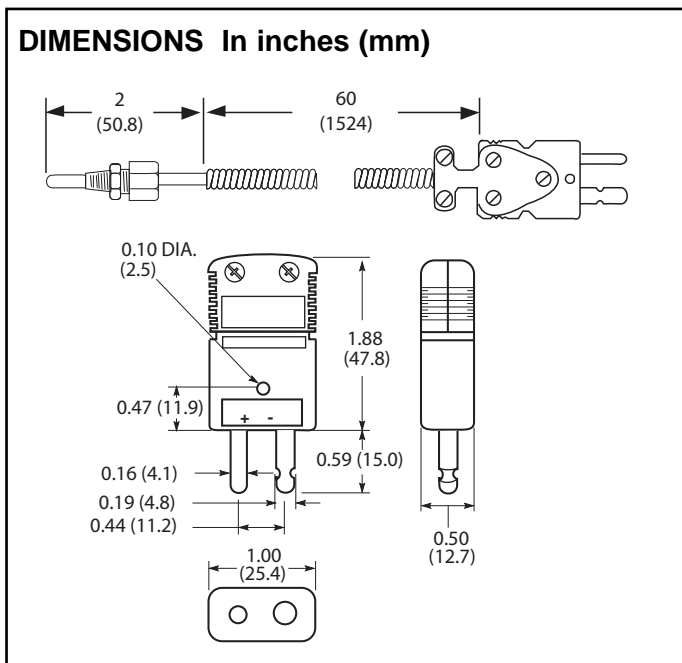
MODEL NUMBER	DESCRIPTION	TC ANSI TYPE	SHEATH MATERIAL	SHEATH DIAMETER	CABLE LENGTH	TC JUNCTION	PART NUMBER
TMPU	TC HANDLE PROBE	K	304 SS	.125	1' EXPANDS TO 5'	GROUNDING	TMPKUT01
	TC HANDLE PROBE	K	INCONEL 600	.125	1' EXPANDS TO 5'	GROUNDING	TMPKUT02

# MODEL TMPB - SPRING LOADED COMPRESSION FITTING THERMOCOUPLES

## GENERAL DESCRIPTION

The spring-loaded compression fitting thermocouple is ideally suited for measuring plastic processing machinery temperatures at the crosshead, die or barrel. It has a 5 foot stainless steel cable, with a 3/16" sheath diameter and a brass compression fitting with 1/8" NPT.

- *IDEAL FOR EXTRUDERS/MOLDING AND MACHINE PROCESS TEMPERATURE*
- *COLD END TERMINATION IS HIGH TEMPERATURE NICKEL ZINC FERRITE CORE STANDARD MALE CONNECTOR*
- *STANDARD MALE CONNECTOR IS DESIGNED FOR SUPPRESSION OF ELECTROMAGNETIC INTERFERENCE*



## SPECIFICATIONS

1. **THERMOCOUPLE JUNCTION:** Type K, grounded
2. **CABLE:** 5 feet, 0.188 dia. stainless steel
3. **CONNECTOR SPECIFICATIONS:** Extra heavy duty solid male pin male connector  
**Case Material:** High temperature liquid crystal polymer (LCP)  
**Temperature ratings:**  
 Ferrite core effectiveness: 120° C (248° F)  
 LCP Material: 260° C (500° F)  
**Impedance:** (±20%): 35 ohms @ 25 MHz  
 70 ohms @ 100 MHz

## ORDERING INFORMATION

MODEL NUMBER	DESCRIPTION	PART NUMBER
TMPB	COMPRESSION TC ASSEMBLY	TMPKBT01