

SureCross PS24DXSR Power Supply with Relay



24V dc, 200 mA Power Supply with Solid State Relay

Features



Power Supply

- Accepts universal input voltage (85 to 264V ac, 110 to 330V dc) and provides 24V dc output
- Provides reliable power for dc-powered sensors and wireless products
- Standard DX80 mounting
- Protected against input and output over-voltage and over-current transients
- Thermal shutdown protected

Relay

- Converts a PNP output from a dc-powered sensor to the supplied universal AC or DC voltage
- Relay is solid state and optically isolated with current limiting circuitry to withstand current surge transients



WARNING: Not To Be Used for Personnel Protection

Never use this product as a sensing device for personnel protection. Doing so could lead to serious injury or death. This product does NOT include the self-checking redundant circuitry necessary to allow its use in personnel safety applications. A sensor failure or malfunction can cause either an energized or de-energized sensor output condition.



Specifications

Power Supply	Relay
<p>Voltage Input: 100 / 240V ac (84 to 264V ac, 110 to 340V dc) Output: 24V dc</p> <p>Current Input (110/240V ac): 150 mA / 80 mA Inrush (120/240V ac, 150 mA load): 20 A / 40 A Leakage (110/240V ac): 0.5 mA / 0.75 mA Output: 200 mA; Note 1</p> <p>Input Frequency 50 / 60 Hz (47 to 440 Hz)</p> <p>Output Power 5 W</p> <p>Holdup Time 10 milliseconds</p> <p>Regulation Line: <1% Load: <1% Temperature: <1%</p> <p>Efficiency 77%</p>	<p>Load Current: 120 mA Voltage: Equals power supply input voltage</p> <p>Saturation Voltage < 4.8V at max. load current</p> <p>ON State Resistance 35 Ohms</p> <p>OFF State Leakage Current 1 μA</p> <p>ON/OFF Delay 2 milliseconds / 0.5 milliseconds</p> <p>Output Capacitance 12 pF</p>

General Specifications

Indicators

Green LED on solid: Power ON
Yellow LED on solid: Relay ON

Construction

Polycarbonate

Wiring

Wire Gauge: 28–14 AWG

Operating Temperature

-20 to 60 °C

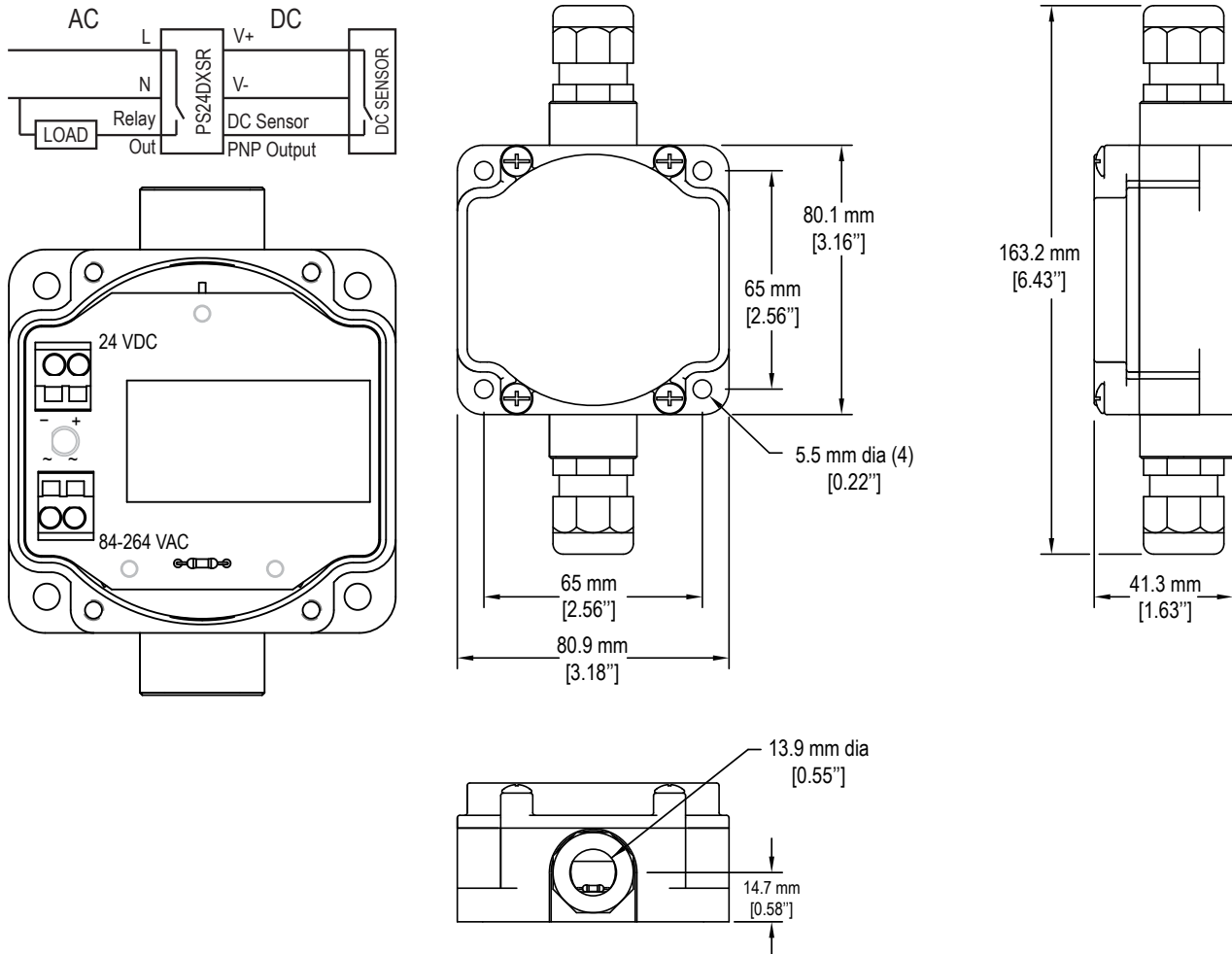
Environmental Rating

IEC IP67, NEMA 6; Note 2

Application Notes

1. Derate maximum output current 10 mA/°C above 50°C
2. Meets environmental ratings if cover screws are tightened to 5.5 in-lbs and provided strain reliefs are used with teflon tape and screwed on flush to the housing.

Wiring and Dimensions



Warnings

The manufacturer does not take responsibility for the violation of any warning listed in this document.

Make no modifications to this product. Any modifications to this product not expressly approved by Banner Engineering could void the user's authority to operate the product. Contact the Factory for more information.

All specifications published in this document are subject to change. Banner reserves the right to modify the specifications of products without notice. Banner Engineering reserves the right to update or change documentation at any time. For the most recent version of any documentation, refer to our website: www.bannerengineering.com. © 2006-2010 Banner Engineering Corp. All rights reserved.

Banner Engineering Corp Limited Warranty

Banner Engineering Corp. warrants its products to be free from defects in material and workmanship for one year following the date of shipment. Banner Engineering Corp. will repair or replace, free of charge, any product of its manufacture which, at the time it is returned to the factory, is found to have been defective during the warranty period. This warranty does not cover damage or liability for misuse, abuse, or the improper application of the Banner product.

THIS LIMITED WARRANTY IS EXCLUSIVE AND IN LIEU OF ALL OTHER WARRANTIES WHETHER EXPRESS OR IMPLIED (INCLUDING, WITHOUT LIMITATION, ANY WARRANTY OF MERCHANTABILITY OR FITNESS FOR A PARTICULAR PURPOSE), AND WHETHER ARISING UNDER COURSE OF PERFORMANCE, COURSE OF DEALING OR TRADE USAGE.

This Warranty is exclusive and limited to repair or, at the discretion of Banner Engineering Corp., replacement. **IN NO EVENT SHALL BANNER ENGINEERING CORP. BE LIABLE TO BUYER OR ANY OTHER PERSON OR ENTITY FOR ANY EXTRA COSTS, EXPENSES, LOSSES, LOSS OF PROFITS, OR ANY INCIDENTAL, CONSEQUENTIAL OR SPECIAL DAMAGES RESULTING FROM ANY PRODUCT DEFECT OR FROM THE USE OR INABILITY TO USE THE PRODUCT, WHETHER ARISING IN CONTRACT OR WARRANTY, STATUTE, TORT, STRICT LIABILITY, NEGLIGENCE, OR OTHERWISE.**

Banner Engineering Corp. reserves the right to change, modify or improve the design of the product without assuming any obligations or liabilities relating to any product previously manufactured by Banner Engineering Corp.

Contact Us

For more information: Contact your local Banner representative or Banner Corporate Offices around the world.

Banner Corporate Headquarters

Banner Engineering Corp.

9714 Tenth Ave. North
Mpls., MN 55441
Tel: 763-544-3164
www.bannerengineering.com
sensors@bannerengineering.com

Asia — China

Banner Engineering China

Shanghai Rep Office
Rm. G/H/I, 28th Flr.
Cross Region Plaza
No. 899, Lingling Road
Shanghai 200030 CHINA
Tel: 86-21-54894500, Fax:
86-21-54894511
www.bannerengineering.com.cn
sensors@bannerengineering.com.cn

Europe

Banner Engineering Europe

Park Lane
Culliganlaan 2F
Diegem B-1831
BELGIUM
Tel: 32-2 456 07 80, Fax:
32-2 456 07 89
www.bannereurope.com
mail@bannereurope.com

Asia — Taiwan

Banner Engineering Taiwan

8F-2, No. 308
Section 1, Neihu Road
Taipei 114
Tel: 886-2-8751-9966, Fax:
886-2-8751-2966
www.bannerengineering.com.tw
info@bannerengineering.com.tw

Latin America

Contact Banner Engineering Corp. (US) or e-mail:

Mexico: mexico@bannerengineering.com

Brazil: brasil@bannerengineering.com

Asia — Japan

Banner Engineering Japan

Cent-Urban Building 305
3-23-15, Nishi-Nakajima
Yodogawa-Ku, Osaka
532-0011 JAPAN
Tel: 81-6-6309-0411, Fax:
81-6-6309-0416
www.bannerengineering.co.jp
mail@bannerengineering.co.jp

Asia — India

Banner Engineering India

Pune Head Quarters
Office No. 1001
Sai Capital Opp. ICC
Senapati Bapat Road
Pune 411016 INDIA
Tel: 91-20-66405624, Fax:
91-20-66405623
www.bannerengineering.co.in
india@bannerengineering.com