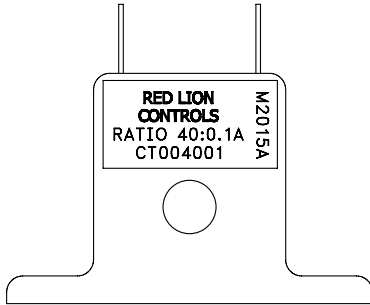


MODEL CT004 - CURRENT TRANSFORMER



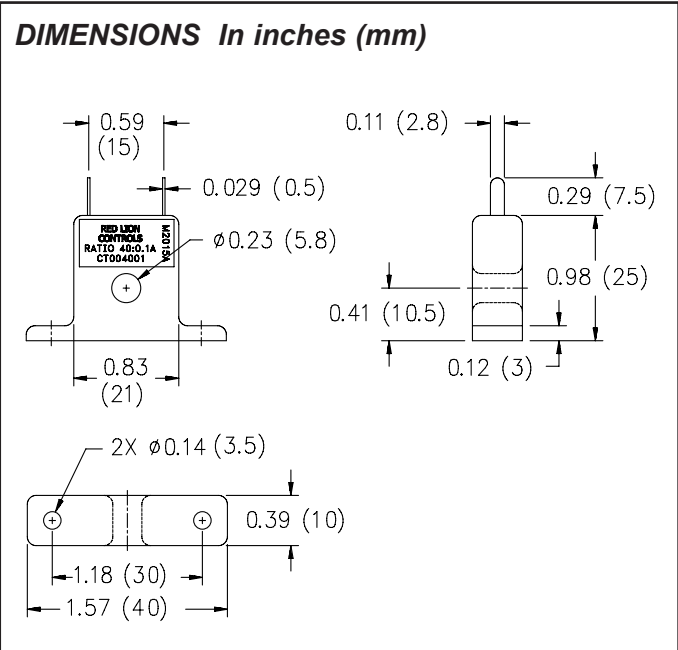
DESCRIPTION

The CT004 is intended for use with temperature controllers for monitoring heater current. The CT004 is suitable for general purpose AC current monitoring applications up to 40 Amps.

SPECIFICATIONS

1. CURRENT RATIO: 40:0.1A
2. MAX HEATER CURRENT: 50 A.
3. DIELECTRIC STRENGTH: 1000 VAC (For 1 minute)
4. VIBRATION RESISTANCE: 50 Hz (Approx. 10 G)
5. TERMINALS: Solder type
6. WINDOW DIAMETER: 0.228" (5.8 mm).
7. WEIGHT: 0.406 oz (11.5 g).

Notes: Refer to the instruction manual of the temperature controller for connection information and max. heater current allowable by the temperature controller.



ORDERING INFORMATION

MODEL NO.	CURRENT RATIO	PART NUMBER
CT004	40 : 0.1 A	CT004001