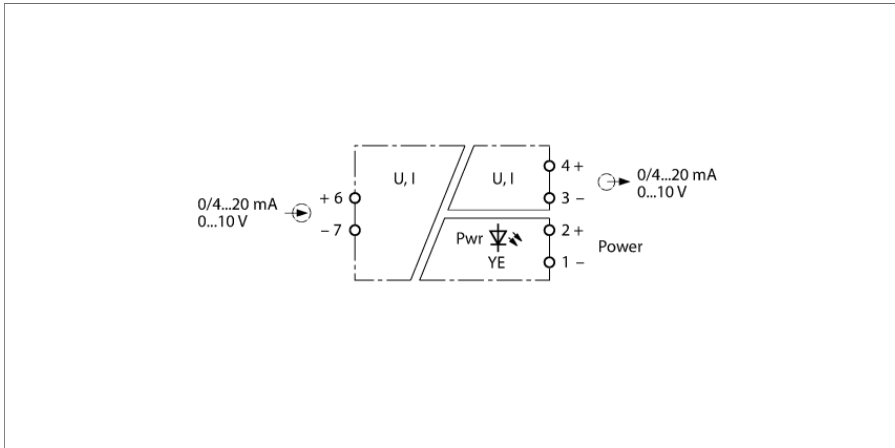


**Analog signal isolator
1-channel
IMS-AI-UNI/24V**



Standard, active voltage or current signals are galvanically isolated, transmitted and converted to other signal types via the 1-channel universal analog data transmitter IMS-AI-UNI/24VDC.

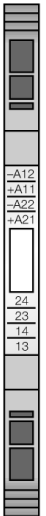
The device is equipped with a variable input circuit of 0/4...20 mA or 0...10 V and a variable short-circuit proof output circuit of 0/4...20 mA or 0...10 V.

The transfer characteristic (for input and output signal type) is adjusted via side-mounted DIP switches. According to the setting, the input signals are transferred to the output.

The green LED indicates operational readiness.

With a width of 6.2 mm, the device is galvanically isolated up to 1.5 kV.

- Analog signal isolator
- Analog signal isolator, 1-channel
- Input circuit: 0/4...20 mA or 0...10 V
- Output circuit: 0/4...20 mA or 0...10 V
- Type of input and output signal adjusted via DIP switch
- Linearity < 0.1% of full scale
- Accuracy < 0.1% of full scale
- UL: Class1; Div 2; Group A,B,C,D
- Galvanic separation of input circuits, output circuits and power supply
- 6.2 mm width



Analog signal isolator
1-channel
IMS-AI-UNI/24V

Type	IMS-AI-UNI/24V
Ident-No.	7504009
Nominal voltage	24 VDC
Operating voltage range	19...29 VDC
Power consumption	≤ 0.312 W
Residual ripple	≤ 5 mV _{ss}
Voltage input	0/2...10 VDC
Input resistance (voltage)	330 kΩ
Current input	0/4...20 mA
Input resistance (current)	100 Ω
Output circuits	
Output current	0/4...20 mA
Output voltage	0...10 V
Load resistance voltage output	≥ 1 kΩ
Load resistance current output	≤ 0.4 kΩ
Limit frequency	≤ 30 Hz
Rise time (10-90%)	≤ 10 ms
Dropout time (90...10%)	≤ 10 ms
Measuring accuracy	≤ 0.1 % of full scale
Linearity deviation	≤ 0.1 % of full scale
Temperature drift	≤ 0.00015 % / K
Galvanic separation	
Test voltage	1.5 kV
Rated voltage	50 V
Indication	
Operational readiness	green
Mechanical Data	
Protection class	IP20
Ambient temperature	-20...+60 °C
Storage temperature	-40...80°C
Dimensions	114.5x 6.2x 90 mm
Weight	60 g
Mounting instruction	For mounting on DIN rail
Housing material	Polycarbonate/ABS
Electrical connection	Screw terminals
Terminal cross-section	2.5 mm ²
Tightening torque	0.5 Nm

Dimensions

