

# TURCK

## Process Wiring Products



### multibox® eurofast® Nylon Junction Boxes w/Integral Home Run Cable

- Consolidation of 2-wire Analog or HART Control Circuits in Hazardous Locations or Unclassified Locations



FM approved for installation in hazardous locations when installed per **TURCK** Control Drawing QCF-00147 ([www.turck.com/fmcd](http://www.turck.com/fmcd)) using specified accessory equipment.  
 "/C" versions CSA certified for installation in hazardous locations when installed per **TURCK** Control Drawing Ni-2.404([www.turck.com/fmcd](http://www.turck.com/fmcd)) using certified accessory equipment.

#### 4-port, 1 Analog Signal Per Port, Common Ground and Shield

Application	Specifications	Pinout	Nickel Plated Brass	Stainless Steel																						
4-port glass-filled nylon junction box, <b>eurofast</b> port connectors, integral home-run cable	Home-run cable with 4/22 AWG shielded twisted pairs, each with 22 AWG drain <sup>†</sup> , plus overall shield with 22 AWG drain and 18 AWG overall ground, 10.0 mm OD	<table border="1"> <thead> <tr> <th>Port, Pin</th> <th>Wire Color</th> </tr> </thead> <tbody> <tr><td>Port 1, Pin 1</td><td>WH/BK</td></tr> <tr><td>Port 1, Pin 2</td><td>BK/WH</td></tr> <tr><td>Port 2, Pin 1</td><td>WH/GN</td></tr> <tr><td>Port 2, Pin 2</td><td>GN/WH</td></tr> <tr><td>Port 3, Pin 1</td><td>WH/RD</td></tr> <tr><td>Port 3, Pin 2</td><td>RD/WH</td></tr> <tr><td>Port 4, Pin 1</td><td>WH/OG</td></tr> <tr><td>Port 4, Pin 2</td><td>OG/WH</td></tr> <tr><td>Ports 1-4, Pin 3</td><td>Drain</td></tr> <tr><td>Ports 1-4, Pin 4</td><td>GN/YE</td></tr> </tbody> </table>	Port, Pin	Wire Color	Port 1, Pin 1	WH/BK	Port 1, Pin 2	BK/WH	Port 2, Pin 1	WH/GN	Port 2, Pin 2	GN/WH	Port 3, Pin 1	WH/RD	Port 3, Pin 2	RD/WH	Port 4, Pin 1	WH/OG	Port 4, Pin 2	OG/WH	Ports 1-4, Pin 3	Drain	Ports 1-4, Pin 4	GN/YE	P-4MB12-4-960-*	P-4MBV12-4-960-*
		Port, Pin	Wire Color																							
Port 1, Pin 1	WH/BK																									
Port 1, Pin 2	BK/WH																									
Port 2, Pin 1	WH/GN																									
Port 2, Pin 2	GN/WH																									
Port 3, Pin 1	WH/RD																									
Port 3, Pin 2	RD/WH																									
Port 4, Pin 1	WH/OG																									
Port 4, Pin 2	OG/WH																									
Ports 1-4, Pin 3	Drain																									
Ports 1-4, Pin 4	GN/YE																									
P-4MB12-4-415-*/C	P-4MBV12-4-415-*/C																									

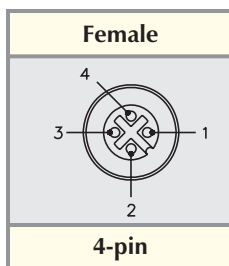
#### 8-port, 1 Analog Signal Per Port, Common Ground and Shield

Application	Specifications	Pinout	Nickel Plated Brass	Stainless Steel																																						
8-port glass-filled nylon junction box, <b>eurofast</b> port connectors, integral home-run cable	Home-run cable with 8/22 AWG shielded twisted pairs, each with 22 AWG drain <sup>†</sup> , plus overall shield with 22 AWG drain and 18 AWG overall ground, 12.0 mm OD	<table border="1"> <thead> <tr> <th>Port, Pin</th> <th>Wire Color</th> </tr> </thead> <tbody> <tr><td>Port 1, Pin 1</td><td>WH/BK</td></tr> <tr><td>Port 1, Pin 2</td><td>BK/WH</td></tr> <tr><td>Port 2, Pin 1</td><td>WH/GN</td></tr> <tr><td>Port 2, Pin 2</td><td>GN/WH</td></tr> <tr><td>Port 3, Pin 1</td><td>WH/RD</td></tr> <tr><td>Port 3, Pin 2</td><td>RD/WH</td></tr> <tr><td>Port 4, Pin 1</td><td>WH/OG</td></tr> <tr><td>Port 4, Pin 2</td><td>OG/WH</td></tr> <tr><td>Port 5, Pin 1</td><td>WH/BU</td></tr> <tr><td>Port 5, Pin 2</td><td>BU/WH</td></tr> <tr><td>Port 6, Pin 1</td><td>WH/BN</td></tr> <tr><td>Port 6, Pin 2</td><td>BN/WH</td></tr> <tr><td>Port 7, Pin 1</td><td>WH/YE</td></tr> <tr><td>Port 7, Pin 2</td><td>YE/WH</td></tr> <tr><td>Port 8, Pin 1</td><td>WH/VT</td></tr> <tr><td>Port 8, Pin 2</td><td>VT/WH</td></tr> <tr><td>Ports 1-8, Pin 3</td><td>Drain</td></tr> <tr><td>Ports 1-8, Pin 4</td><td>GN/YE</td></tr> </tbody> </table>	Port, Pin	Wire Color	Port 1, Pin 1	WH/BK	Port 1, Pin 2	BK/WH	Port 2, Pin 1	WH/GN	Port 2, Pin 2	GN/WH	Port 3, Pin 1	WH/RD	Port 3, Pin 2	RD/WH	Port 4, Pin 1	WH/OG	Port 4, Pin 2	OG/WH	Port 5, Pin 1	WH/BU	Port 5, Pin 2	BU/WH	Port 6, Pin 1	WH/BN	Port 6, Pin 2	BN/WH	Port 7, Pin 1	WH/YE	Port 7, Pin 2	YE/WH	Port 8, Pin 1	WH/VT	Port 8, Pin 2	VT/WH	Ports 1-8, Pin 3	Drain	Ports 1-8, Pin 4	GN/YE	P-8MB12-4-959-*	P-8MBV12-4-959-*
		Port, Pin	Wire Color																																							
Port 1, Pin 1	WH/BK																																									
Port 1, Pin 2	BK/WH																																									
Port 2, Pin 1	WH/GN																																									
Port 2, Pin 2	GN/WH																																									
Port 3, Pin 1	WH/RD																																									
Port 3, Pin 2	RD/WH																																									
Port 4, Pin 1	WH/OG																																									
Port 4, Pin 2	OG/WH																																									
Port 5, Pin 1	WH/BU																																									
Port 5, Pin 2	BU/WH																																									
Port 6, Pin 1	WH/BN																																									
Port 6, Pin 2	BN/WH																																									
Port 7, Pin 1	WH/YE																																									
Port 7, Pin 2	YE/WH																																									
Port 8, Pin 1	WH/VT																																									
Port 8, Pin 2	VT/WH																																									
Ports 1-8, Pin 3	Drain																																									
Ports 1-8, Pin 4	GN/YE																																									
P-8MB12-4-416-*/C	P-8MBV12-4-416-*/C																																									

\* Length in meters.

† Each circuit has dedicated drain wire not connected in the junction box.

#### Pinouts

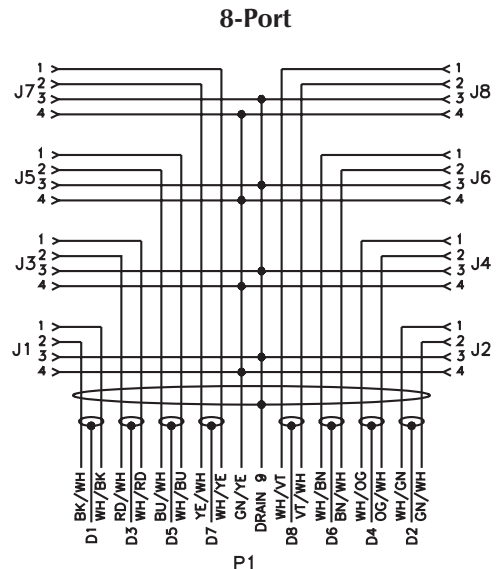
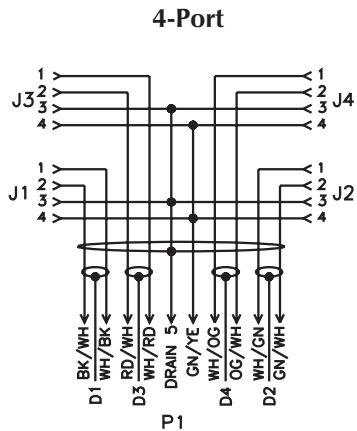
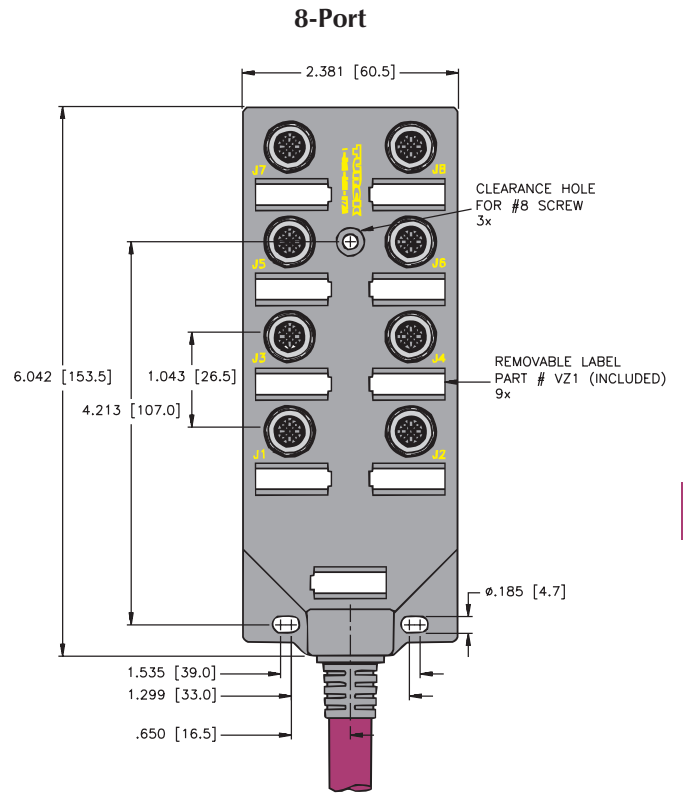
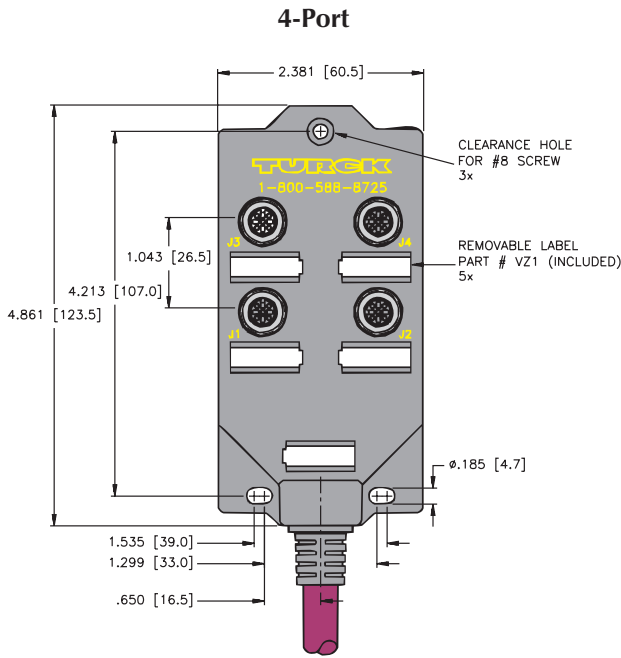




### Specifications

- Housing:** Glass filled nylon.
- Connectors:** Nickel plated brass or 316 stainless steel housings (see table), Nylon contact carriers.
- Temperature:** -30° to +80°C (-22° to +176°F).
- Contacts:** Gold plated brass.
- Protection:** IP 68.
- Cable:** Standard Version: Plum PVC jacket, UL ITC/PLTC/AWM, CSA CMX-Outdoor/CMG/AWM FT4, 300 V, 105°C.  
 "/C" Versions: Plum PUR jacket, UL ITC/PLTC, CSA CIC/CMX-Outdoor-CM, 300 V, 105°C, FT1.
- Electrical Rating:** Standard Version: 100 V, 4 A per conductor (use as ITC is limited to 3 A for 22 AWG conductors).

### Dimensions



# TURCK

## Process Wiring Products



### multibox® eurofast® Nylon Junction Boxes w/Integral Home Run Cable

- Consolidation of 2-wire Analog or HART Control Circuits in Hazardous Locations or Unclassified Locations
- Blue Jacket Color May Be Used as Identification of Intrinsically Safe Circuits



FM approved for installation in hazardous locations when installed per **TURCK** Control Drawing QCF-00147 ([www.turck.com/fmcd](http://www.turck.com/fmcd)) using specified accessory equipment.  
 "/C" versions CSA certified for installation in hazardous locations when installed per **TURCK** Control Drawing Ni-2.404([www.turck.com/fmcd](http://www.turck.com/fmcd)) using certified accessory equipment.

#### 4-port, 1 Analog Signal Per Port, Common Ground and Shield

Application	Specifications	Pinout	Nickel Plated Brass	Stainless Steel																						
4-port glass-filled nylon junction box, <b>eurofast</b> port connectors, integral home-run cable	Home-run cable with 4/22 AWG shielded twisted pairs, each with 22 AWG drain <sup>†</sup> , plus overall shield with 22 AWG drain and 18 AWG overall ground, 10.0 mm OD	<table border="0"> <tr> <td><u>Port, Pin</u></td> <td><u>Wire Color</u></td> </tr> <tr> <td>Port 1, Pin 1</td> <td>WH/BK</td> </tr> <tr> <td>Port 1, Pin 2</td> <td>BK/WH</td> </tr> <tr> <td>Port 2, Pin 1</td> <td>WH/GN</td> </tr> <tr> <td>Port 2, Pin 2</td> <td>GN/WH</td> </tr> <tr> <td>Port 3, Pin 1</td> <td>WH/RD</td> </tr> <tr> <td>Port 3, Pin 2</td> <td>RD/WH</td> </tr> <tr> <td>Port 4, Pin 1</td> <td>WH/OG</td> </tr> <tr> <td>Port 4, Pin 2</td> <td>OG/WH</td> </tr> <tr> <td>Ports 1-4, Pin 3</td> <td>Drain</td> </tr> <tr> <td>Ports 1-4, Pin 4</td> <td>GN/YE</td> </tr> </table>	<u>Port, Pin</u>	<u>Wire Color</u>	Port 1, Pin 1	WH/BK	Port 1, Pin 2	BK/WH	Port 2, Pin 1	WH/GN	Port 2, Pin 2	GN/WH	Port 3, Pin 1	WH/RD	Port 3, Pin 2	RD/WH	Port 4, Pin 1	WH/OG	Port 4, Pin 2	OG/WH	Ports 1-4, Pin 3	Drain	Ports 1-4, Pin 4	GN/YE	P-4MB12-4-978-*	P-4MBV12-4-978-*
		<u>Port, Pin</u>	<u>Wire Color</u>																							
Port 1, Pin 1	WH/BK																									
Port 1, Pin 2	BK/WH																									
Port 2, Pin 1	WH/GN																									
Port 2, Pin 2	GN/WH																									
Port 3, Pin 1	WH/RD																									
Port 3, Pin 2	RD/WH																									
Port 4, Pin 1	WH/OG																									
Port 4, Pin 2	OG/WH																									
Ports 1-4, Pin 3	Drain																									
Ports 1-4, Pin 4	GN/YE																									
			P-4MB12-4-978-*/C	P-4MBV12-4-978-*/C																						

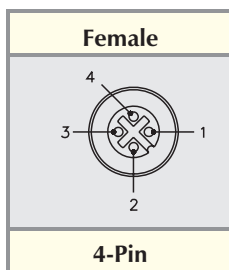
#### 8-port, 1 Analog Signal Per Port, Common Ground and Shield

Application	Specifications	Pinout	Nickel Plated Brass	Stainless Steel																																						
8-port glass-filled nylon junction box, <b>eurofast</b> port connectors, integral home-run cable	Home-run cable with 8/22 AWG shielded twisted pairs, each with 22 AWG drain <sup>†</sup> , plus overall shield with 22 AWG drain and 18 AWG overall ground, 12.0 mm OD	<table border="0"> <tr> <td><u>Port, Pin</u></td> <td><u>Wire Color</u></td> </tr> <tr> <td>Port 1, Pin 1</td> <td>WH/BK</td> </tr> <tr> <td>Port 1, Pin 2</td> <td>BK/WH</td> </tr> <tr> <td>Port 2, Pin 1</td> <td>WH/GN</td> </tr> <tr> <td>Port 2, Pin 2</td> <td>GN/WH</td> </tr> <tr> <td>Port 3, Pin 1</td> <td>WH/RD</td> </tr> <tr> <td>Port 3, Pin 2</td> <td>RD/WH</td> </tr> <tr> <td>Port 4, Pin 1</td> <td>WH/OG</td> </tr> <tr> <td>Port 4, Pin 2</td> <td>OG/WH</td> </tr> <tr> <td>Port 5, Pin 1</td> <td>WH/BU</td> </tr> <tr> <td>Port 5, Pin 2</td> <td>BU/WH</td> </tr> <tr> <td>Port 6, Pin 1</td> <td>WH/BN</td> </tr> <tr> <td>Port 6, Pin 2</td> <td>BN/WH</td> </tr> <tr> <td>Port 7, Pin 1</td> <td>WH/YE</td> </tr> <tr> <td>Port 7, Pin 2</td> <td>YE/WH</td> </tr> <tr> <td>Port 8, Pin 1</td> <td>WH/VT</td> </tr> <tr> <td>Port 8, Pin 2</td> <td>VT/WH</td> </tr> <tr> <td>Ports 1-8, Pin 3</td> <td>Drain</td> </tr> <tr> <td>Ports 1-8, Pin 4</td> <td>GN/YE</td> </tr> </table>	<u>Port, Pin</u>	<u>Wire Color</u>	Port 1, Pin 1	WH/BK	Port 1, Pin 2	BK/WH	Port 2, Pin 1	WH/GN	Port 2, Pin 2	GN/WH	Port 3, Pin 1	WH/RD	Port 3, Pin 2	RD/WH	Port 4, Pin 1	WH/OG	Port 4, Pin 2	OG/WH	Port 5, Pin 1	WH/BU	Port 5, Pin 2	BU/WH	Port 6, Pin 1	WH/BN	Port 6, Pin 2	BN/WH	Port 7, Pin 1	WH/YE	Port 7, Pin 2	YE/WH	Port 8, Pin 1	WH/VT	Port 8, Pin 2	VT/WH	Ports 1-8, Pin 3	Drain	Ports 1-8, Pin 4	GN/YE	P-8MB12-4-977-*	P-8MBV12-4-977-*
		<u>Port, Pin</u>	<u>Wire Color</u>																																							
Port 1, Pin 1	WH/BK																																									
Port 1, Pin 2	BK/WH																																									
Port 2, Pin 1	WH/GN																																									
Port 2, Pin 2	GN/WH																																									
Port 3, Pin 1	WH/RD																																									
Port 3, Pin 2	RD/WH																																									
Port 4, Pin 1	WH/OG																																									
Port 4, Pin 2	OG/WH																																									
Port 5, Pin 1	WH/BU																																									
Port 5, Pin 2	BU/WH																																									
Port 6, Pin 1	WH/BN																																									
Port 6, Pin 2	BN/WH																																									
Port 7, Pin 1	WH/YE																																									
Port 7, Pin 2	YE/WH																																									
Port 8, Pin 1	WH/VT																																									
Port 8, Pin 2	VT/WH																																									
Ports 1-8, Pin 3	Drain																																									
Ports 1-8, Pin 4	GN/YE																																									
			P-8MB12-4-977-*/C	P-8MBV12-4-977-*/C																																						

\* Length in meters.

† Each circuit has dedicated drain wire not connected in the junction box.

#### Pinouts

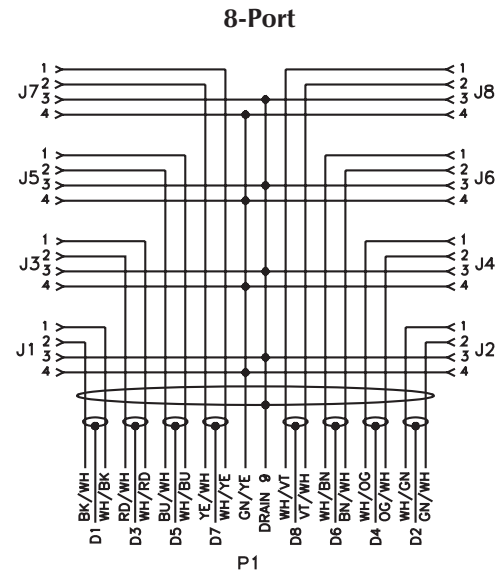
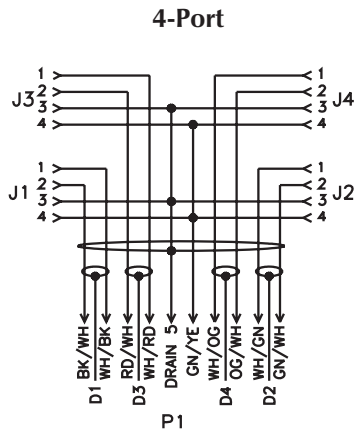
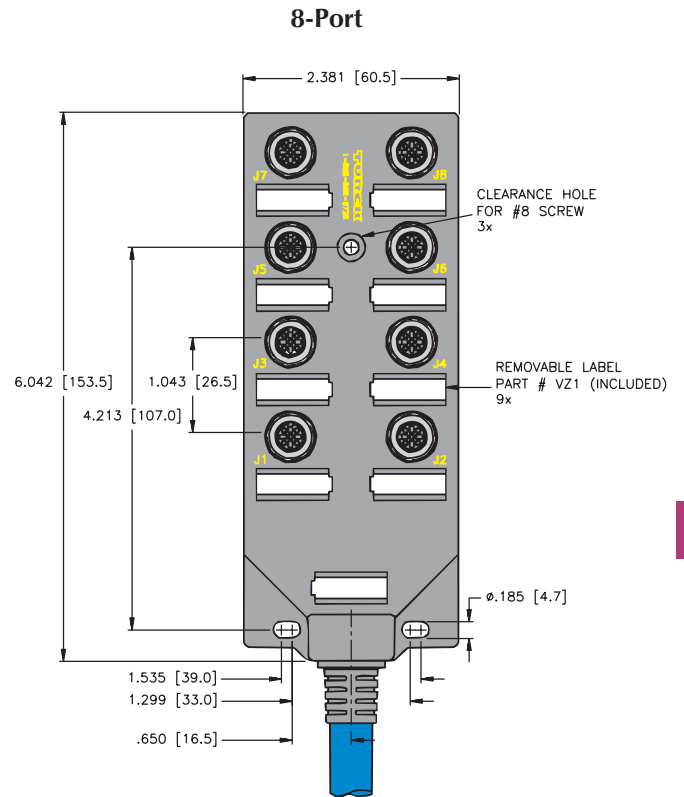
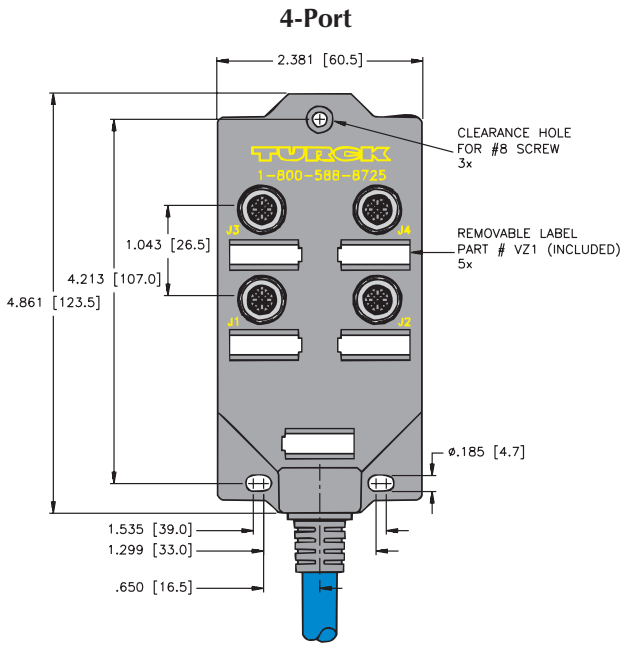




### Specifications

<b>Housing:</b>	Glass filled nylon.
<b>Connectors:</b>	Nickel plated brass or 316 stainless steel housings (see table), Nylon contact carriers.
<b>Temperature:</b>	-30° to +80°C (-22° to +176°F).
<b>Contacts:</b>	Gold plated brass.
<b>Protection:</b>	IP 68.
<b>Cable:</b>	Blue PVC jacket, UL UTC/PLTC/AWM, CSA CMX-Outdoor/CMG/AWM FT4, 300 V, 105°C.
<b>Electrical Rating:</b>	Standard Version: 100 V, 4 A per conductor (use as ITC is limited to 3 A for 22 AWG conductors). "C" Versions: 30 V, 600 mA

### Dimensions



# TURCK

## Process Wiring Products



### multibox® eurofast® Metal Junction Boxes w/Integral Home Run Cable

- Consolidation of 2-wire Analog or HART Control Circuits in Hazardous Locations\*\* or Unclassified Locations.



FM approved for installation in hazardous locations when installed per **TURCK** Control Drawing QCF-00147 ([www.turck.com/fmcd](http://www.turck.com/fmcd)) using specified accessory equipment.

"/C" versions CSA certified for installation in hazardous locations when installed per **TURCK** Control Drawing Ni-2.404([www.turck.com/fmcd](http://www.turck.com/fmcd)) using certified accessory equipment.

#### 4-port, 1 Analog Signal Per Port, Common Ground and Shield

Application	Specifications	Pinout	Nickel Plated Brass	Stainless Steel
4-port cast aluminum junction box, <b>eurofast</b> port connectors, integral home-run cable	Home-run cable with 4/22 AWG shielded twisted pairs, each with 22 AWG drain†, plus overall shield with 22 AWG drain and 18 AWG overall ground, 10.0 mm OD	Port, Pin		
		Wire Color		
		Port 1, Pin 1	P-VBM 40-960-*	P-VBMV 40-960-*
		Port 1, Pin 2		
		Port 2, Pin 1	P-VBM 40-415-*/C	P-VBMV 40-415-*/C
		Port 2, Pin 2		
		Port 3, Pin 1		
		Port 3, Pin 2		
		Port 4, Pin 1		
		Port 4, Pin 2		
		Ports 1-4, Pin 3		
		Ports 1-4, Pin 4		

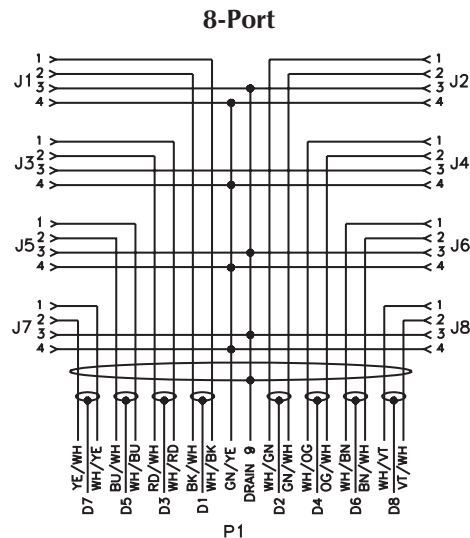
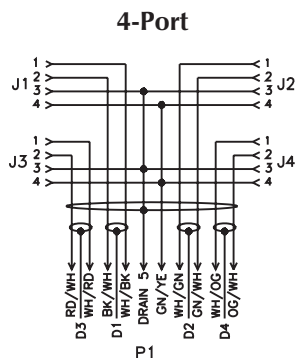
#### 8-port, 1 Analog Signal Per Port, Common Ground and Shield

Application	Specifications	Pinout	Nickel Plated Brass	Stainless Steel
8-port cast aluminum junction box, <b>eurofast</b> port connectors, integral home-run cable	Home-run cable with 8/22 AWG shielded twisted pairs, each with 22 AWG drain†, plus overall shield with 22 AWG drain and 18 AWG overall ground, 12.0 mm OD	Port, Pin		
		Wire Color		
		Port 1, Pin 1	P-VBM 80-959-*	P-VBMV 80-959-*
		Port 1, Pin 2		
		Port 2, Pin 1	P-VBM 80-416-*/C	P-VBMV 80-416-*/C
		Port 2, Pin 2		
		Port 3, Pin 1		
		Port 3, Pin 2		
		Port 4, Pin 1		
		Port 4, Pin 2		
		Port 5, Pin 1		
		Port 5, Pin 2		
		Port 6, Pin 1		
		Port 6, Pin 2		
		Port 7, Pin 1		
		Port 7, Pin 2		
		Port 8, Pin 1		
		Port 8, Pin 2		
		Ports 1-8, Pin 3		
		Ports 1-8, Pin 4		

\* Length in meters.

\*\* Use with **lokfast** LOCK-EURO-G or LOCK-EURO-FW for port connectors in Class I, Division 2 applications.

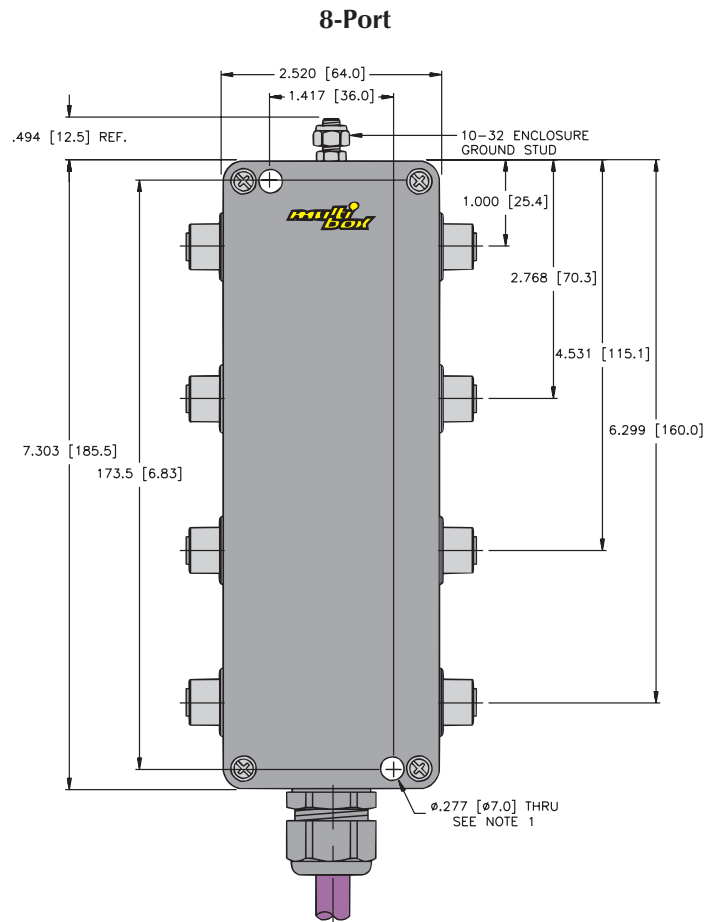
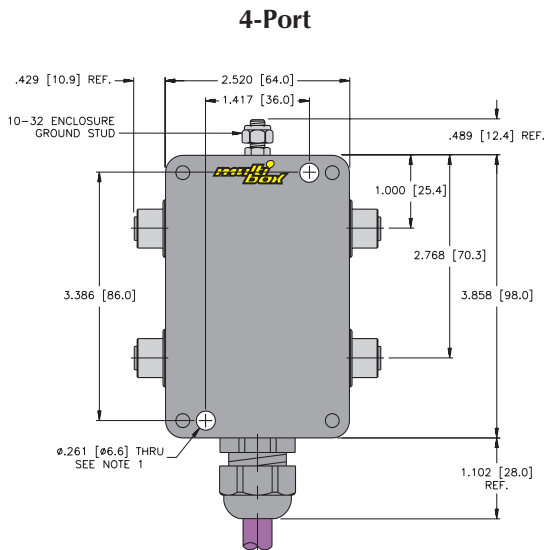
† Each circuit has an additional dedicated drain wire not connected in the junction box.



### Specifications

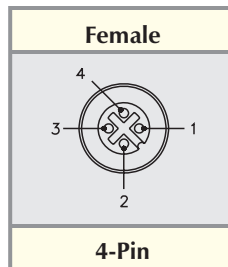
<b>Housing:</b>	Die-cast aluminum alloy.
<b>Connectors</b>	Nickel plated brass or 316 stainless steel housings (see table), oil resistant PUR contact carrier.
<b>Temperature:</b>	-30° to +80°C (-22° to +176°F).
<b>Contacts:</b>	Gold plated brass.
<b>Protection:</b>	IP 68.
<b>Cable:</b>	Standard Version: Plum PVC jacket, UL ITC/PLTC/AWM, CSA CMX-Outdoor/CMG/AWM FT4, 300 V, 105°C. "/C" Versions: Plum PUR jacket, UL ITC/PLTC, CSA CIC/CMX-Outdoor-CM, 300 V, 105°C, FT1.
<b>Electrical Rating:</b>	Standard Version: 250 V, 4 A per conductor (use as ITC is limited to 150 V, 3 A for 22 AWG conductors). "/C" Versions: 30 V, 600 mA

### Dimensions



- Notes:
1. Clearance hole for 1/4-20 mounting screws (2 not included).

### Pinouts



# TURCK

## Process Wiring Products



### multibox® eurofast® Nylon Junction Boxes

- Consolidation of 2-wire Analog or HART Control Circuits in Hazardous Locations or Unclassified Locations.



FM approved for installation in hazardous locations when installed per **TURCK** Control Drawing QCF-00147 ([www.turck.com/fmcd](http://www.turck.com/fmcd)) using specified accessory equipment.  
 "/C" versions CSA certified for installation in hazardous locations when installed per **TURCK** Control Drawing Ni-2.404([www.turck.com/fmcd](http://www.turck.com/fmcd)) using certified accessory equipment.

#### 4-port, 1 Analog Signal Per Port, Common Ground and Shield

Application	Specifications	Pinout				Nickel Plated Brass	Stainless Steel
4-port glass-filled nylon junction box, <b>eurofast</b> port connectors, <b>multifast</b> ® home-run connector	12-pin <b>multifast</b> connector	Port, Pin	Home-Run	Port, Pin	Home-Run	P-4MB12-4-CS12	P-4MBV12-4-CSV12
		Port 1, Pin 1	1	Port 4, Pin 1	7	P-4MB12-4-CS12/C	P-4MBV12-4-CSV12/C
Port 1, Pin 2	2	Port 4, Pin 2	8				
Port 2, Pin 1	3	NC	9				
Port 2, Pin 2	4	NC	10				
Port 3, Pin 1	5	Ports 1-4, Pin 3	11				
Port 3, Pin 2	6	Ports 1-4, Pin 4	12				

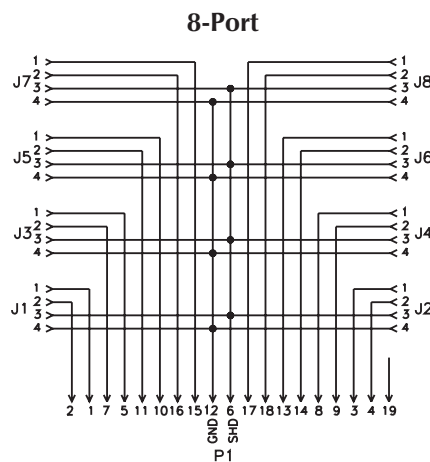
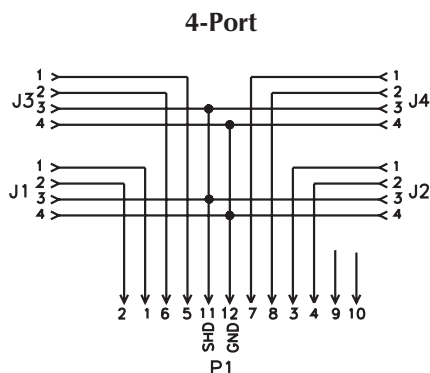
See pages K85 - K92 for mating home-run cordsets.

#### 8-port, 1 Analog Signal Per Port, Common Ground and Shield

Application	Specifications	Pinout				Nickel Plated Brass	Stainless Steel
8-port glass-filled nylon junction box, <b>eurofast</b> port connectors, <b>multifast</b> home-run connector	19-pin <b>multifast</b> connector	Port, Pin	Home-Run	Port, Pin	Home-Run	P-8MB12-4-CS19	P-8MBV12-4-CSV19
		Port 1, Pin 1	1	Port 5, Pin 1	10		
		Port 1, Pin 2	2	Port 5, Pin 2	11		
		Port 2, Pin 1	3	Ports 1-8, Pin 4	12		
		Port 2, Pin 2	4	Port 6, Pin 1	13		
		Port 3, Pin 1	5	Port 6, Pin 2	14		
		Ports 1-8, Pin 3	6	Port 7, Pin 1	15	P-8MB12-4-CS19/C	P-8MBV12-4-CSV19/C
		Port 3, Pin 2	7	Port 7, Pin 2	16		
		Port 4, Pin 1	8	Port 8, Pin 1	17		
		Port 4, Pin 2	9	Port 8, Pin 2	18		
				NC	19		

See pages K85 - K92 for mating home-run cordsets.

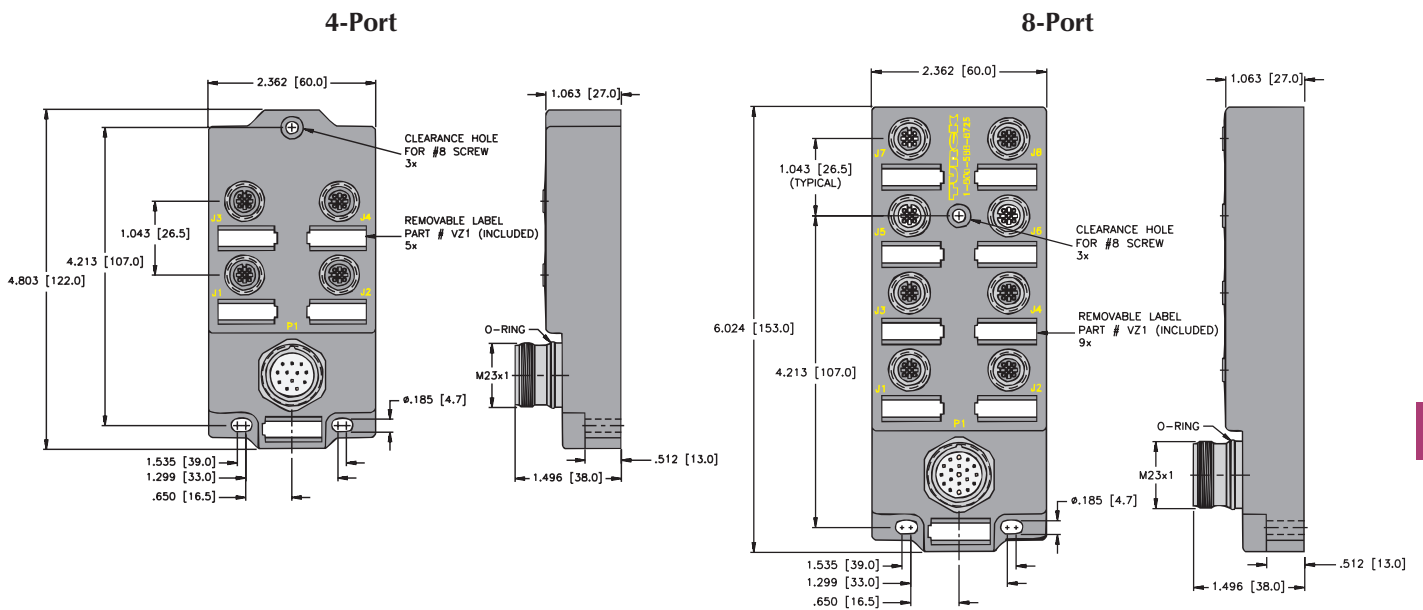
### Wiring Diagrams



### Specifications

- Housing:** Glass filled nylon.
- Connectors:** Nickel plated brass or 316 stainless steel housings (see table).  
Nylon contact carriers.
- Temperature:** -30° to +80°C (-22° to +176°F).
- Contacts:** Gold plated brass.
- Protection:** IP 67.
- Electrical Rating:** Standard Version: 100 V, 4 A per conductor.  
"C" Versions: 30 V, 600 mA

### Dimensions



### Pinouts

Female	Male	
<b>4-Pin eurofast®</b>	<b>12-Pin multifast®</b>	<b>19-Pin multifast®</b>



# TURCK

## Process Wiring Products



### multibox® eurofast® Metal Junction Boxes

- Consolidation of 2-wire Analog or HART Control Circuits in Hazardous Locations or Unclassified Locations



FM approved for installation in hazardous locations when installed per **TURCK** Control Drawing QCF-00147 ([www.turck.com/fmcd](http://www.turck.com/fmcd)) using specified accessory equipment.

"/C" versions CSA certified for installation in hazardous locations when installed per **TURCK** Control Drawing Ni-2.404([www.turck.com/fmcd](http://www.turck.com/fmcd)) using certified accessory equipment.

#### 4-port, Common Ground and Shield

Application	Specifications	Pinout				Nickel Plated Brass	Stainless Steel
4-port cast aluminum junction box, <b>eurofast</b> port connectors, <b>multifast</b> ® home-run connector, 1 analog signal per port	12-pin <b>multifast</b> connector	Pin, Port	Home-Run	Port, Pin	Home-Run	P-VBM 40-CS12	P-VBMV 40-CSV12
		Port 1, Pin 1	1	Port 4, Pin 1	7	P-VBM 40-CS12/C	P-VBMV 40-CSV12/C
Port 1, Pin 2	2	Port 4, Pin 2	8				
Port 2, Pin 1	3	NC	9				
Port 2, Pin 2	4	NC	10				
Port 3, Pin 1	5	Ports 1-4, Pin 3	11				
Port 3, Pin 2	6	Ports 1-4, Pin 4	12				

See pages K85 - K92 for mating home-run cordsets.

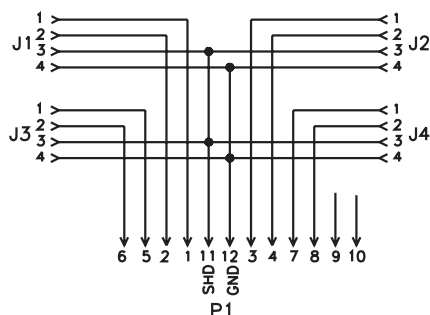
#### 8-port, Common Ground and Shield

Application	Specifications	Pinout				Nickel Plated Brass	Stainless Steel
8-port cast aluminum junction box, <b>eurofast</b> port connectors, <b>multifast</b> home-run connector, 1 analog signal per port	19-pin <b>multifast</b> connector	Port, Pin	Home-Run	Port, Pin	Home-Run	P-VBM 80-CS19	P-VBMV 80-CSV19
		Port 1, Pin 1	1	Port 5, Pin 1	10	P-VBM 80-CS19/C	P-VBMV 80-CSV19/C
Port 1, Pin 2	2	Port 5, Pin 2	11				
Port 2, Pin 1	3	Ports 1-8, Pin 4	12				
Port 2, Pin 2	4	Port 6, Pin 1	13				
Port 3, Pin 1	5	Port 6, Pin 2	14				
Ports 1-8, Pin 3	6	Port 7, Pin 1	15				
Port 3, Pin 2	7	Port 7, Pin 2	16				
Port 4, Pin 1	8	Port 8, Pin 1	17				
Port 4, Pin 2	9	Port 8, Pin 2	18				
		NC	19				

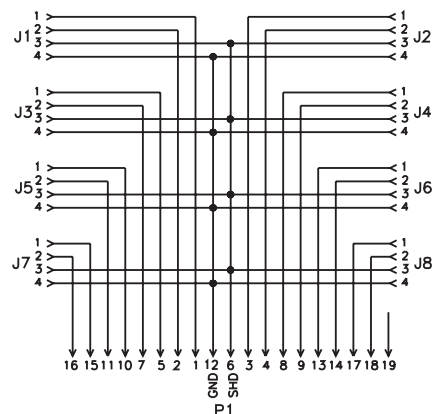
See pages K85 - K92 for mating home-run cordsets.

### Wiring Diagrams

4-Port Diagram, 1 Analog Signal Per Port



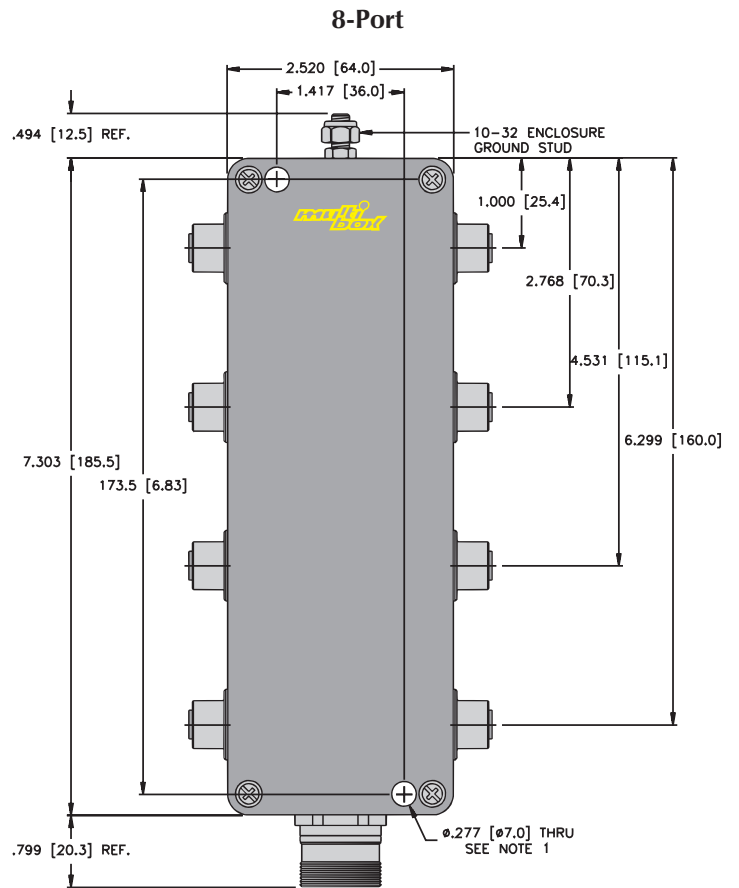
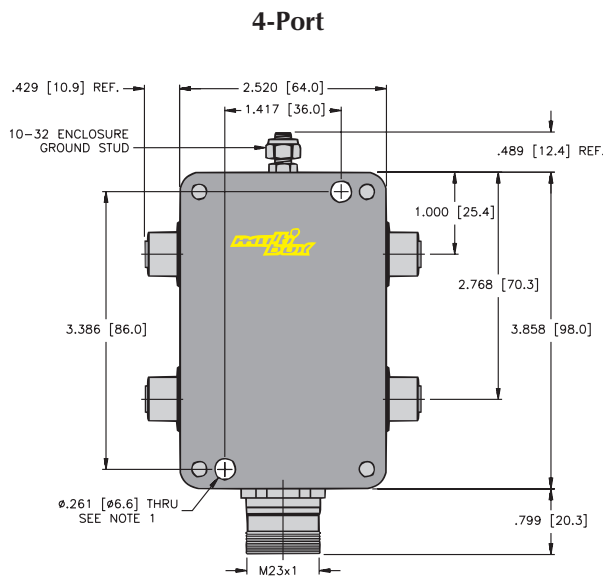
8-Port Diagram, 1 Analog Signal Per Port



### Specifications

- Housing:** Die-cast aluminum alloy.
- Connectors:** Nickel plated brass or 316 stainless steel housings (see table), oil resistant PUR contact carrier.
- Temperature:** -30° to +80°C (-22° to +176°F).
- Contacts:** Gold plated brass.
- Protection:** IP 67.
- Electrical Rating:** Standard Version: 12-pin: 250 V, 4 A per conductor.  
Standard Version: 12-pin: 250 V, 4 A per conductor.  
"C" Versions: 30 V, 600 mA

### Dimensions



- Notes:  
1. Clearance hole for 1/4-20 mounting screws (2 not included).

### Pinouts

Female	Male	
<b>4-Pin eurofast®</b>	<b>12-Pin multifast®</b>	<b>19-Pin multifast</b>

# TURCK

## Process Wiring Products



### multibox® minifast® Metal Junction Boxes w/Integral Home Run Cable

- Consolidation of 2-wire Analog or HART Control Circuits in Hazardous Locations\*\* or Unclassified Locations



FM approved for installation in hazardous locations when installed per **TURCK** Control Drawing QCF-00147 ([www.turck.com/fmcd](http://www.turck.com/fmcd)) using specified accessory equipment.

"/C" versions CSA certified for installation in hazardous locations when installed per **TURCK** Control Drawing Ni-2.404([www.turck.com/fmcd](http://www.turck.com/fmcd)) using certified accessory equipment.

#### 4-port, 1 Analog Signal Per Port, Common Ground and Shield

Application	Specifications	Pinout		Nickel Plated Brass	Stainless Steel
4-port cast aluminum junction box, <b>minifast</b> port connectors, integral home-run cable	Home-run cable with 4/22 AWG shielded twisted pairs, each with 22 AWG drain†, plus overall shield with 22 AWG drain and 18 AWG overall ground, 10.0 mm OD	<u>Port, Pin</u>	<u>Wire Color</u>	<u>Port, Pin</u>	<u>Wire Color</u>
		Port 1, Pin 1	WH/BK	Port 3, Pin 2	RD/WH
		Port 1, Pin 2	BK/WH	Port 4, Pin 1	WH/OG
		Port 2, Pin 1	WH/GN	Port 4, Pin 2	OG/WH
		Port 2, Pin 2	GN/WH	Ports 1-4, Pin 3	Drain
		Port 3, Pin 1	WH/RD	Ports 1-4, Pin 4	GN/YE
				P-4 RKF 40-960-*	P-4 RKFV 40-960-*
				P-4 RKF 40-415-*/C	P-4 RKFV 40-415-*/C

#### 8-port, 1 Analog Signal Per Port, Common Ground and Shield

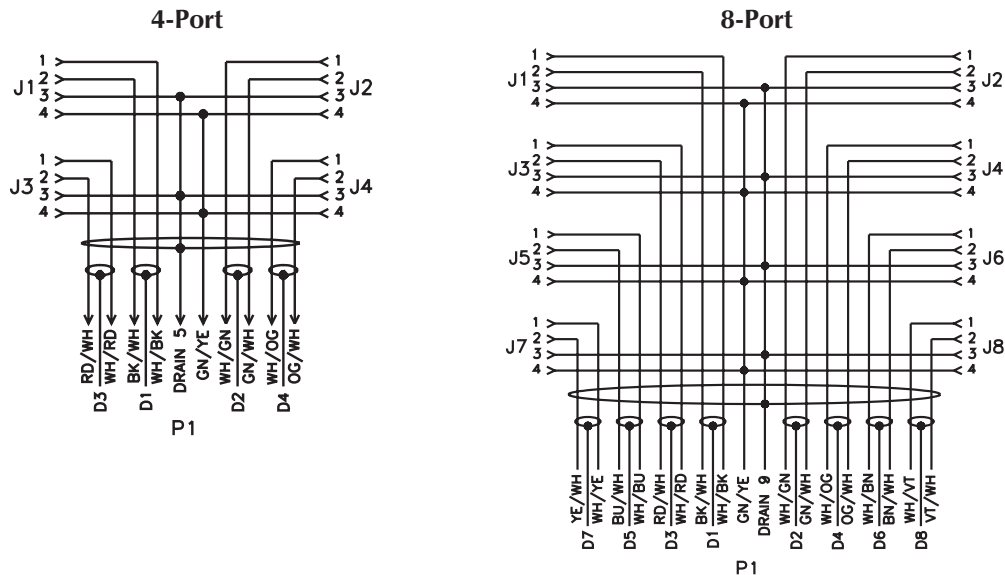
Application	Specifications	Pinout		Nickel Plated Brass	Stainless Steel
8-port cast aluminum junction box, <b>minifast</b> port connectors, integral home-run cable	Home-run cable with 8/22 AWG shielded twisted pairs, each with 22 AWG drain†, plus overall shield with 22 AWG drain and 18 AWG overall ground, 12.0 mm OD	<u>Port, Pin</u>	<u>Wire Color</u>	<u>Port, Pin</u>	<u>Wire Color</u>
		Port 1, Pin 1	WH/BK	Port 5, Pin 2	BU/WH
		Port 1, Pin 2	BK/WH	Port 6, Pin 1	WH/BN
		Port 2, Pin 1	WH/GN	Port 6, Pin 2	BN/WH
		Port 2, Pin 2	GN/WH	Port 7, Pin 1	WH/YE
		Port 3, Pin 1	WH/RD	Port 7, Pin 2	YE/WH
		Port 3, Pin 2	RD/WH	Port 8, Pin 1	WH/VT
		Port 4, Pin 1	WH/OG	Port 8, Pin 2	VT/WH
		Port 4, Pin 2	OG/WH	Ports 1-8, Pin 3	Drain
		Port 5, Pin 1	WH/BU	Ports 1-8, Pin 4	GN/YE
				P-8 RKF 40-959-*	P-8 RKFV 40-959-*
				P-8 RKF 40-416-*/C	P-8 RKFV 40-416-*/C

\* Length in meters.

\*\* Use with **lokfast** LOCK-MINI or LOCK-MINI-FW for port connectors in Class I, Division 2 applications and for mating home run cable use "L" and "T" versions.

† Each circuit has dedicated drain wire not connected in the junction box.

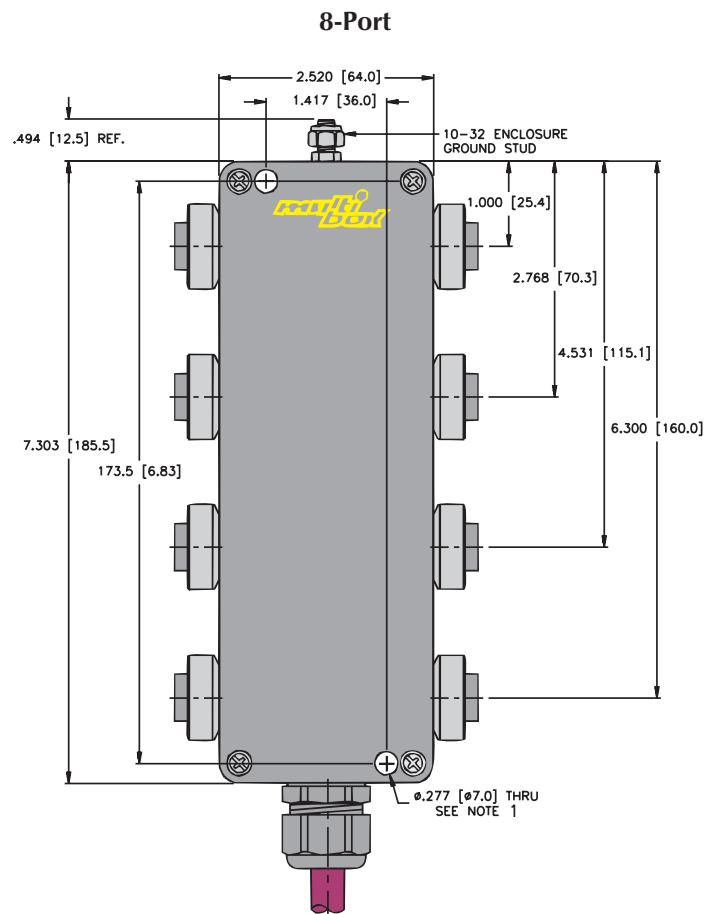
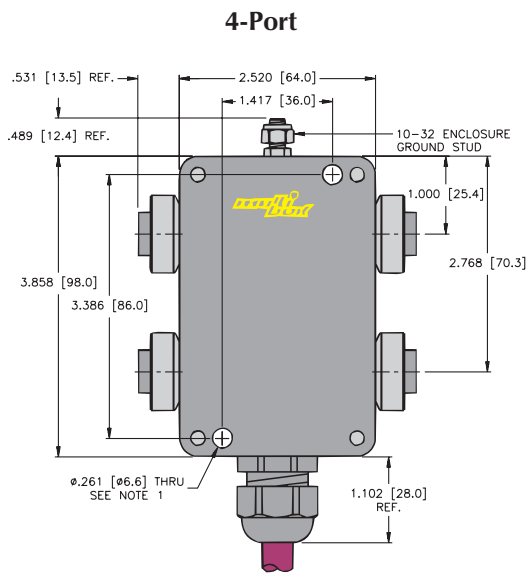
### Wiring Diagrams



### Specifications

<b>Housing:</b>	Die-cast aluminum alloy.
<b>Connectors</b>	Nickel plated brass or 316 stainless steel housings (see table), oil resistant PUR contact carrier.
<b>Temperature:</b>	-30° to +80°C (-22° to +176°F).
<b>Contacts:</b>	Gold plated brass.
<b>Cable:</b>	Standard Version: Plum PVC jacket, UL ITC/PLTC/AWM, CSA CMX-Outdoor/CMG/AWM FT4, 300 V, 105°C. "C" Versions: Plum PUR jacket, UL ITC/PLTC, CSA CIC/CMX-Outdoor-CM, 300 V, 105°C, FT1.
<b>Protection:</b>	IP 67.
<b>Electrical Rating:</b>	Standard Version: 300 V, 4 A per conductor (use as ITC is limited to 150 V, 3 A for 22 AWG conductors). "C" Versions: 30 V, 600 mA

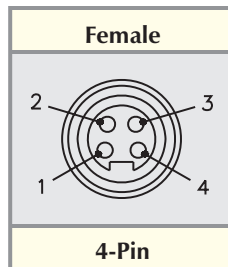
### Dimensions



**Notes:**

- 1. Clearance hole for 1/4-20 mounting screws (2 not included).

### Pinouts



# TURCK

## Process Wiring Products



### multibox® minifast® Metal Junction Boxes

- Consolidation of 2-wire Analog or HART Control Circuits in Hazardous Locations\* or Unclassified Locations



FM approved for installation in hazardous locations when installed per **TURCK** Control Drawing QCF-00147 ([www.turck.com/fmcd](http://www.turck.com/fmcd)) using specified accessory equipment.  
 "/C" versions CSA certified for installation in hazardous locations when installed per **TURCK** Control Drawing Ni-2.404([www.turck.com/fmcd](http://www.turck.com/fmcd)) using certified accessory equipment.

#### 4-port, Common Ground and Shield

Application	Specifications	Pinout				Nickel Plated Brass	Stainless Steel
4-port cast aluminum junction box, <b>minifast</b> port connectors, <b>multifast</b> ® home-run connector, 1 analog signal per port	12-pin <b>multifast</b> connector, 9 conductors plus drain	<u>Port, Pin</u>	<u>Home Run</u>	<u>Port, Pin</u>	<u>Home Run</u>	P-4 RKF 40-CS12	P-4 RKFV 40-CSV12
		Port 1, Pin 1	1	Port 4, Pin 1	7	P-4 RKF 40-CS12/C	P-4 RKFV 40-CSV12/C
Port 1, Pin 2	2	Port 4, Pin 2	8				
Port 2, Pin 1	3	NC	9				
Port 2, Pin 2	4	NC	10				
Port 3, Pin 1	5	Ports 1-4, Pin 3	11				
Port 3, Pin 2	6	Ports 1-4, Pin 4	12				

See pages K85 - K92 for mating home run cordsets.

#### 8-port, Common Ground and Shield

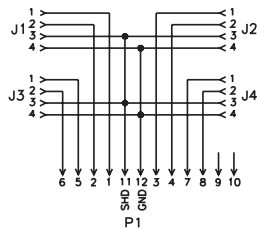
Application	Specifications	Pinout				Nickel Plated Brass	Stainless Steel
8-port cast aluminum junction box, <b>minifast</b> port connectors, <b>multifast</b> home-run connector, 1 analog signal per port	19-pin <b>multifast</b> connector, 17 conductors plus drain	<u>Port, Pin</u>	<u>Home Run</u>	<u>Port, Pin</u>	<u>Home Run</u>	P-8 RKF 40-CS19	P-8 RKFV 40-CSV19
		Port 1, Pin 1	1	Port 5, Pin 1	10	P-8 RKF 40-CS19/C	P-8 RKFV 40-CSV19/C
Port 1, Pin 2	2	Port 5, Pin 2	11				
Port 2, Pin 1	3	Ports 1-8, Pin 4	12				
Port 2, Pin 2	4	Port 6, Pin 1	13				
Port 3, Pin 1	5	Port 6, Pin 2	14				
Ports 1-8, Pin 3	6	Port 7, Pin 1	15				
Port 3, Pin 2	7	Port 7, Pin 2	16				
Port 4, Pin 1	8	Port 8, Pin 1	17				
Port 4, Pin 2	9	Port 8, Pin 2	18				
		NC	19				

\* Use with **lokfast** LOCK-MINI or LOCK-MINI-FW for port connectors in Class I, Division 2 applications and for mating Home-Run cable use "L" and "T" versions.

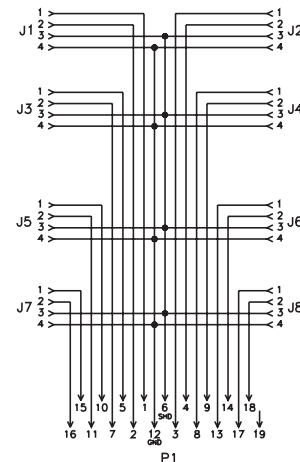
See pages K85 - K92 for mating home run cordsets.

## Wiring Diagrams

#### 4-Port Diagram, 1 Analog Signal Per Port



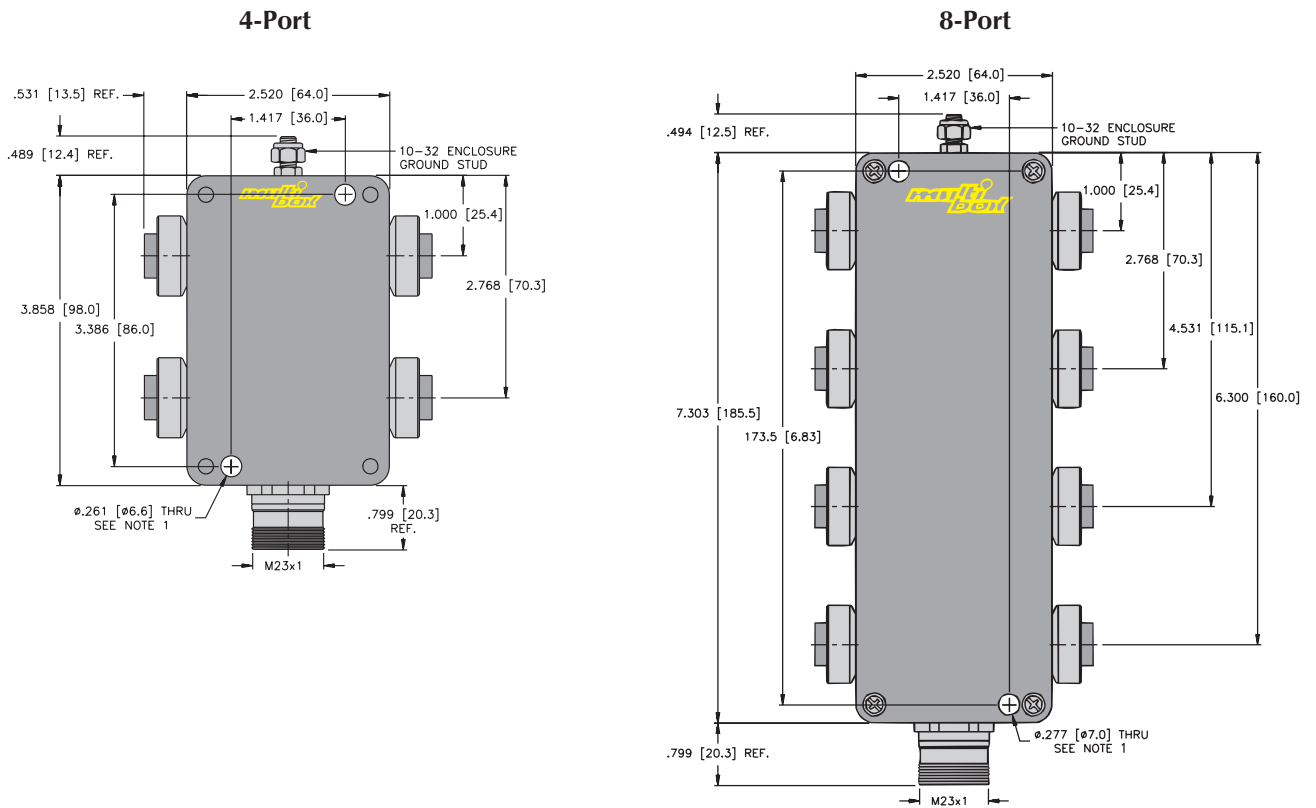
#### 8-Port Diagram, 1 Analog Signal Per Port



### Specifications

- Housing:** Die-cast aluminum alloy.
- Connectors:** Nickel plated brass or 316 stainless steel housings (see table), oil resistant PUR contact carrier.
- Temperature:** -30° to +80°C (-22° to +176°F).
- Contacts:** Gold plated brass.
- Protection:** IP 67.
- Electrical Rating:** Standard Version: 12-pin: 300 V, 4 A per conductor.  
19-pin: 150 V, 5 A per conductor.  
"C" Versions: 30 V, 600 mA

### Dimensions



Notes:

- 1. Clearance hole for 1/4-20 mounting screws (2 not included).

### Pinouts

Female	Male	
<b>4-Pin minifast®</b>	<b>12-Pin multifast®</b>	<b>19-Pin multifast</b>

# TURCK

## Process Wiring Products



### multibox® eurofast® Metal Junction Boxes w/Integral Home Run Cable

- Consolidation of Analog or Discrete Circuits in Hazardous Locations or Unclassified Locations
- Blue Jacket Color may be used as Identification of Intrinsically Safe Circuits



FM approved for installation in hazardous locations when installed per **TURCK** Control Drawing QCF-00147 ([www.turck.com/fmcd](http://www.turck.com/fmcd)) using specified accessory equipment.  
 "/C" versions CSA certified for installation in hazardous locations when installed per **TURCK** Control Drawing Ni-2.404([www.turck.com/fmcd](http://www.turck.com/fmcd)) using certified accessory equipment.

#### 4-port, 1 Analog Signal Per Port, Common Ground and Shield

Application	Specifications	Pinout		Nickel Plated Brass	Stainless Steel
4-port cast aluminum junction box, <b>eurofast</b> port connectors, integral home-run cable	Home-run cable with 4/22 AWG shielded twisted pairs, each with 22 AWG drain†, plus overall shield with 22 AWG drain and 18 AWG overall ground, 10.0 mm OD	Port, Pin	Wire Color	Port, Pin	Wire Color
		Port 1, Pin 1	WH/BK	Port 3, Pin 2	RD/WH
		Port 1, Pin 2	BK/WH	Port 4, Pin 1	WH/OG
		Port 2, Pin 1	WH/GN	Port 4, Pin 2	OG/WH
		Port 2, Pin 2	GN/WH	Ports 1-4, Pin 3	Drain
		Port 3, Pin 1	WH/RD	Ports 1-4, Pin 4	GN/YE
				P-VBM 40-978-*	P-VBMV 40-978-*
				P-VBM 40-978-*/C	P-VBMV 40-978-*/C

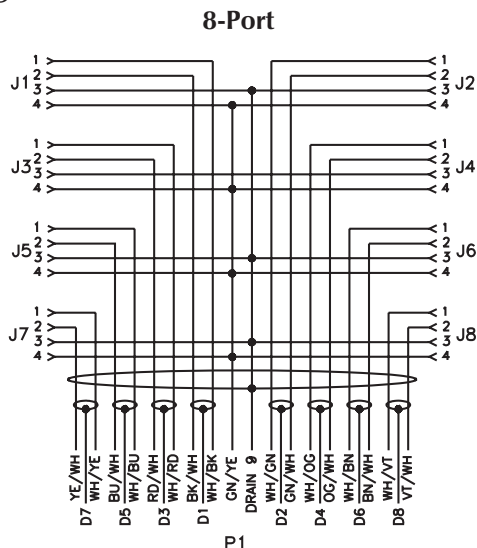
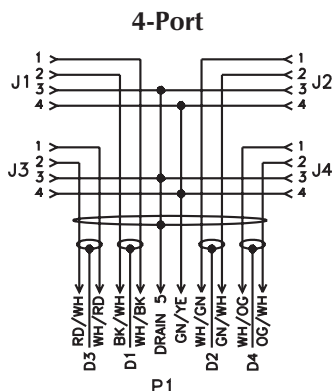
#### 8-port, 1 Analog Signal Per Port, Common Ground and Shield

Application	Specifications	Pinout		Nickel Plated Brass	Stainless Steel
8-port cast aluminum junction box, <b>eurofast</b> port connectors, integral home-run cable	Home-run cable with 8/22 AWG shielded twisted pairs, each with 22 AWG drain†, plus overall shield with 22 AWG drain and 18 AWG overall ground, 12.0 mm OD	Port, Pin	Wire Color	Port, Pin	Wire Color
		Port 1, Pin 1	WH/BK	Port 6, Pin 1	WH/BN
		Port 1, Pin 2	BK/WH	Port 6, Pin 2	BN/WH
		Port 2, Pin 1	WH/GN	Port 7, Pin 1	WH/YE
		Port 2, Pin 2	GN/WH	Port 7, Pin 2	YE/WH
		Port 3, Pin 1	WH/RD	Port 8, Pin 1	WH/VT
		Port 3, Pin 2	RD/WH	Port 8, Pin 2	VT/WH
		Port 4, Pin 1	WH/OG	Ports 1-8, Pin 3	Drain
		Port 4, Pin 2	OG/WH	Ports 1-8, Pin 4	GN/YE
		Port 5, Pin 1	WH/BU		
		Port 5, Pin 2	BU/WH		
				P-VBM 80-977-*	P-VBMV 80-977-*
				P-VBM 80-977-*/C	P-VBMV 80-977-*/C

\* Length in meters.

† Each circuit has dedicated drain wire not connected in the junction box.

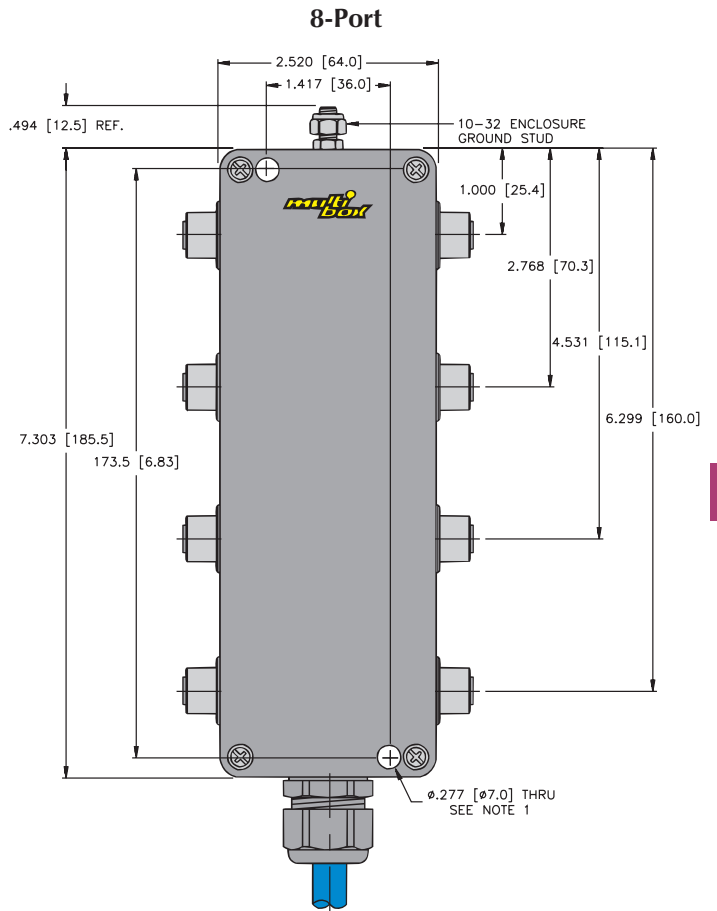
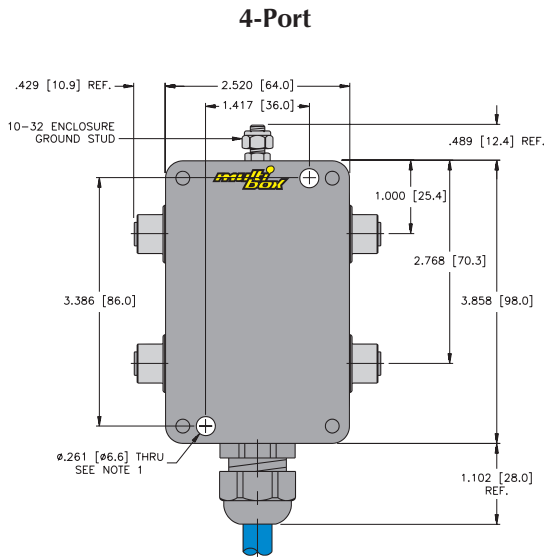
### Wiring Diagrams



### Specifications

<b>Housing:</b>	Die-cast aluminum alloy.
<b>Connectors</b>	Nickel plated brass or 316 stainless steel housings (see table), oil resistant PUR contact carrier.
<b>Temperature:</b>	-30° to +80°C (-22° to +176°F).
<b>Contacts:</b>	Gold plated brass.
<b>Protection:</b>	IP 68.
<b>Cable:</b>	Blue PVC jacket, UL ITC/PLTC/AWM, CSA CMX-Outdoor/CMG/AWM FT4, 300 V, 105°C.
<b>Electrical Rating:</b>	Standard Version: 250 V, 4 A per conductor (use as ITC is limited to 150 V, 3 A for 22 AWG conductors). "C" Versions: 30 V, 600 mA

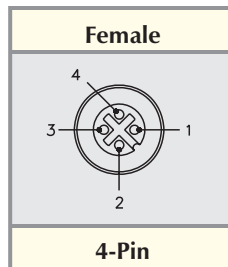
### Dimensions



Notes:

- 1. Clearance hole for 1/4-20 mounting screws (2 not included).

### Pinouts





# TURCK

## Process Wiring Products



### multibox® eurofast® Metal Junction Boxes

- Consolidation of Analog or Discrete Circuits in Hazardous Locations\*\* or Unclassified Locations



FM approved for installation in hazardous locations when installed per **TURCK** Control Drawing QCF-00147 ([www.turck.com/fmcd](http://www.turck.com/fmcd)) using specified accessory equipment.

"/C" versions CSA certified for installation in hazardous locations when installed per **TURCK** Control Drawing Ni-2.404([www.turck.com/fmcd](http://www.turck.com/fmcd)) using certified accessory equipment.

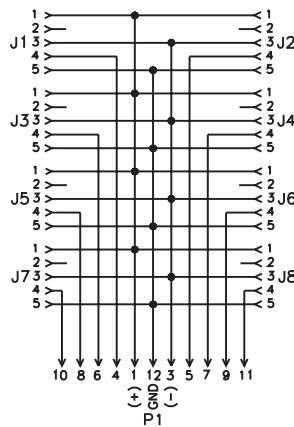
### 8-port, Common Ground and Shield

Application	Specifications	Pinout				Nickel Plated Brass	Stainless Steel
8-port cast aluminum junction box, <b>eurofast</b> port connectors, <b>multifast</b> home-run connector, 1 discrete signal per port	12-pin <b>multifast</b> connector	Port, Pin	Home-Run	Port, Pin	Home-Run	P-VBM 84-CS12	P-VBMV 84-CSV12
		V+	1	Port 4, Pin 4	7		
		NC	2	Port 5, Pin 4	8		
		V-	3	Port 6, Pin 4	9		
		Port 1, Pin 4	4	Port 7, Pin 4	10		
		Port 2, Pin 4	5	Port 8, Pin 4	11		
		Port 3, Pin 4	6	Ports 1-8, Pin 5	12		
						P-VBM 84-CS12/C	P-VBMV 84-CSV12/C

\*\* Use with **lokfast** LOCK-EURO-G for port connectors in Class I, Division 2 applications and for mating Home-Run cable use "L" and "T" versions  
See page K173 for mating home run cable.

## Wiring Diagram

### 8-Port Diagram, 1 Discrete Signal Per Port

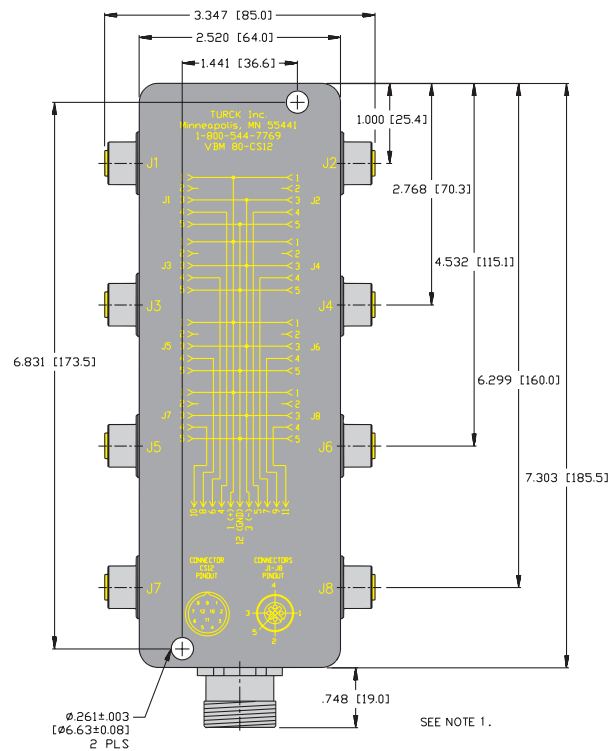


## Specifications

<b>Housing:</b>	Die-cast aluminum alloy.
<b>Connectors:</b>	Nickel plated brass or 316 stainless steel housings (see table), oil resistant PUR contact carrier.
<b>Temperature:</b>	-30° to +80°C (-22° to +176°F).
<b>Contacts:</b>	Gold plated brass.
<b>Protection:</b>	IP 67.
<b>Electrical Rating:</b>	Standard Version: 150 V, 4 A per conductor. "C" Versions: 30 V, 600 mA

## Dimensions

### 4-Port



Notes:

1. Clearance hole for 1/4-20 mounting screws (2 not included).

## Pinouts

Female	Male
<b>4-Pin eurofast®</b>	<b>12-Pin multifast®</b>

# TURCK

## Process Wiring Products



### multibox® minifast® Metal Junction Boxes

- Consolidation of Analog or Discrete Circuits in Hazardous Locations or Unclassified Locations



FM approved for installation in hazardous locations when installed per **TURCK** Control Drawing QCF-00147 ([www.turck.com/fmcd](http://www.turck.com/fmcd)) using specified accessory equipment.  
 "/C" versions CSA certified for installation in hazardous locations when installed per **TURCK** Control Drawing Ni-2.404([www.turck.com/fmcd](http://www.turck.com/fmcd)) using certified accessory equipment.

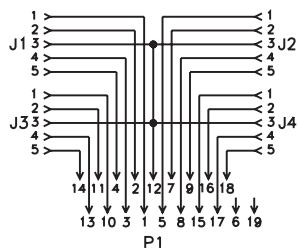
### 4-port, Common Ground and Shield

Application	Specifications	Pinout				Nickel Plated Brass	Stainless Steel
4-port cast aluminum junction box, <b>minifast</b> port connectors, <b>multifast</b> ® home-run connector, 4-wire discrete signal per port	19-pin <b>multifast</b> connector, 19 conductors	Port, Pin	Home-Run	Port, Pin	Home-Run	P-4 RKF 56-CS19	P-4 RKFV 56-CSV19
		Port 1, Pin 1	1	Port 3, Pin 2	11		
4-port cast aluminum junction box, <b>minifast</b> port connectors, <b>multifast</b> home-run connector, 2 analog signals per port	19-pin <b>multifast</b> connector, 16 conductors plus drain	Port 1, Pin 2	2	Ports 1-8, Pin 3	12	P-4 RKF 56-CS19/C	P-4 RKFV 56-CSV19/C
		Port 1, Pin 3	3	Port 3, Pin 4	13		
		Port 1, Pin 4	4	Port 3, Pin 5	14		
		Port 1, Pin 5	5	Port 3, Pin 1	15		
		Port 2, Pin 1	6	Port 4, Pin 1	16		
		NC	7	Port 4, Pin 2	17		
		Port 2, Pin 2	8	Port 4, Pin 4	18		
		Port 2, Pin 4	9	Port 4, Pin 5	19		
		Port 2, Pin 5	10	NC			
		Port 3, Pin 1					
		Port 3, Pin 2					
		Port 3, Pin 1					
4-port cast aluminum junction box, <b>minifast</b> port connectors, <b>multifast</b> home-run connector, 2 analog signals per port	19-pin <b>multifast</b> connector, 16 conductors plus drain	Port, Pin	Home-Run	Port, Pin	Home-Run	P-4 RKF 66-CS19	P-4 RKFV 66-CSV19
		Port 1, Pin 1	1	Port 3, Pin 2	11		
		Port 1, Pin 2	2	Ground	12	P-4 RKF 66-CS19/C	P-4 RKFV 66-CSV19/C
		Port 1, Pin 4	3	Port 3, Pin 4	13		
		Port 1, Pin 5	4	Port 3, Pin 5	14		
		Port 2, Pin 1	5	Port 4, Pin 1	15		
		Shield	6	Port 4, Pin 2	16		
		Port 2, Pin 2	7	Port 4, Pin 4	17		
		Port 2, Pin 4	8	Port 4, Pin 5	18		
		Port 2, Pin 5	9	NC	19		
		Port 3, Pin 1	10				

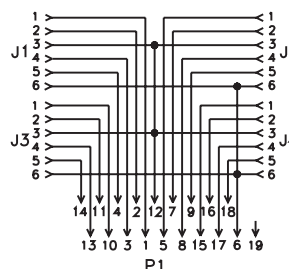
See pages K85 and K89 for mating home run cordsets.

## Wiring Diagrams

4-Wire Discrete



2 Analog Signals Per Port

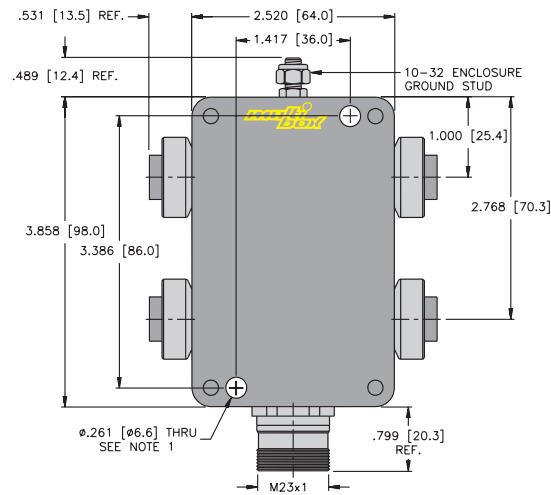


## Specifications

<b>Housing:</b>	Die-cast aluminum alloy.
<b>Connectors</b>	Nickel plated brass or 316 stainless steel housings (see table), oil resistant PUR contact carrier.
<b>Temperature:</b>	-30° to +80°C (-22° to +176°F).
<b>Contacts:</b>	Gold plated brass.
<b>Protection:</b>	IP 67.
<b>Electrical Rating:</b>	Standard Version: 150 V, 4 A per conductor. "C" Versions: 30 V, 600 mA

## Dimensions

### 4-Port



Notes:

1. Clearance hole for 1/4-20 mounting screws (2 not included)

## Pinouts

Female		Male
<b>6-Pin minifast®</b>	<b>5-Pin minifast</b>	<b>19-Pin multifast</b>