



POWER SUPPLY

- AC 100-240V Wide-range Input
- Width only 65mm
- Efficiency up to 92.6%
- ATEX and IECEx Approved
- Excellent Partial Load Efficiency
- Safe Hiccup^{PLUS} Overload Mode
- Easy Fuse Breaking due to High Overload Current (typ. 120A for 15ms)
- Active Power Factor Correction (PFC)
- Minimal Inrush Current Surge
- Full Power Between -25°C and +60°C
- DC-OK Relay Contact
- Current Sharing Feature for Parallel Use
- 3 Year Warranty

GENERAL DESCRIPTION

The Dimension C-Series are cost optimized power supplies without compromising quality, reliability and performance. The C-Series is part of the DIMENSION power supply family. The most outstanding features of CPS20.121 are the high efficiency, electronic inrush current limitation, active PFC, wide operational temperature range. The small size is achieved by a synchronous rectification and further technological design details.

The C-Series includes all the essential basic functions. Additionally, the CPS20.121 can deliver about 4 times the nominal output current for 15ms which helps to trip fuses on faulty output branches.

High immunity to transients and power surges as well as low electromagnetic emission, a DC-OK relay contact and a large international approval package for a variety of applications makes this unit suitable for nearly every situation.

SHORT-FORM DATA

| | | |
|-------------------|------------------|-----------------------------|
| Output voltage | DC 12V | |
| Adjustment range | 12 - 15V | |
| Output current | 30A | at 12V |
| | 27A | at 15V |
| Output power | 360W | at 12V |
| | 405W | at 15V |
| Output ripple | < 100mVpp | 20Hz to 20MHz |
| AC Input voltage | AC 100-240V | -15%/+10% |
| Mains frequency | 50-60Hz | ±6% |
| AC Input current | 3.3 / 1.8A | at 120 / 230Vac |
| Power factor | 0.99 / 0.95 | at 120 / 230Vac |
| AC Inrush current | typ. 9 / 7A peak | at 120 / 230Vac |
| Efficiency | 91.4 / 92.6% | at 120 / 230Vac |
| Losses | 33.9 / 28.8W | at 120 / 230Vac |
| Temperature range | -25°C to +70°C | operational |
| Derating | 0.75A/°C | +60 to +70°C |
| Hold-up time | typ. 35 / 35ms | at 12V, 30A 120 / 230Vac |
| Dimensions | 65x124x127mm | WxHxD |
| Weight | 1000g / 2.2lb | |

ORDER NUMBERS

| | | |
|--------------|------------------|----------------------|
| Power Supply | CPS20.121 | 12-15V Standard unit |
| Accessory | ZM2.WALL | Wall mount bracket |
| | ZM13.SIDE | Side mount bracket |
| | YR80.242 | Redundancy module |
| | YR40.245 | Redundancy module |

MARKINGS



INDEX

| | Page | | Page |
|---------------------------------------|------|-------------------------------------------------|------|
| 1. Intended Use | 3 | 20. Physical Dimensions and Weight | 18 |
| 2. Installation Requirements..... | 3 | 21. Accessories | 19 |
| 3. AC-Input..... | 4 | 21.1. ZM2.WALL - Wall Mounting Bracket..... | 19 |
| 4. DC-Input..... | 5 | 21.2. ZM13.SIDE - Side Mounting Bracket..... | 19 |
| 5. Input Inrush Current | 5 | 21.3. Redundancy Modules | 20 |
| 6. Output | 6 | 22. Application Notes..... | 21 |
| 7. Hold-up Time..... | 8 | 22.1. Peak Current Capability | 21 |
| 8. DC-OK Relay Contact | 8 | 22.2. Back-feeding Loads | 21 |
| 9. Efficiency and Power Losses..... | 9 | 22.3. External Input Protection..... | 22 |
| 10. Lifetime Expectancy and MTBF..... | 10 | 22.4. Output Circuit Breakers..... | 22 |
| 11. Functional Diagram..... | 10 | 22.5. Parallel Use to Increase Output Power.... | 23 |
| 12. Terminals and Wiring..... | 11 | 22.6. Parallel Use for Redundancy | 23 |
| 13. Front Side and User Elements..... | 12 | 22.7. Series Operation | 24 |
| 14. EMC..... | 13 | 22.8. Inductive and Capacitive Loads..... | 24 |
| 15. Environment..... | 14 | 22.9. Charging of Batteries | 24 |
| 16. Protection Features | 15 | 22.10. Operation on Two Phases | 25 |
| 17. Safety Features | 15 | 22.11. Use in a Tightly Sealed Enclosure | 25 |
| 18. Dielectric Strength | 16 | 22.12. Mounting Orientations | 26 |
| 19. Approvals..... | 17 | | |

The information presented in this document is believed to be accurate and reliable and may change without notice. No part of this document may be reproduced or utilized in any form without permission in writing from the publisher.

TERMINOLOGY AND ABBREVIATIONS

| | |
|------------------------------------------|-------------------------------------------------------------------------------------------------------------------------------------------------------------------------------------------------------------------------------------------|
| PE and \oplus symbol | PE is the abbreviation for Protective Earth and has the same meaning as the symbol \oplus . |
| Earth, Ground | This document uses the term "earth" which is the same as the U.S. term "ground". |
| T.b.d. | To be defined, value or description will follow later. |
| AC 230V | A figure displayed with the AC or DC before the value represents a nominal voltage with standard tolerances (usually $\pm 15\%$) included. E.g.: DC 12V describes a 12V battery disregarding whether it is full (13.7V) or flat (10V) |
| 230Vac | A figure with the unit (Vac) at the end is a momentary figure without any additional tolerances included. |
| 50Hz vs. 60Hz | As long as not otherwise stated, AC 230V parameters are valid at 50Hz mains frequency. |
| may | A key word indicating flexibility of choice with no implied preference. |
| shall | A key word indicating a mandatory requirement. |
| should | A key word indicating flexibility of choice with a strongly preferred implementation. |

1. INTENDED USE

This device is designed for installation in an enclosure and is intended for the general professional use such as in industrial control, office, communication, and instrumentation equipment.

Do not use this power supply in equipment, where malfunction may cause severe personal injury or threaten human life.

This device is designed for use in hazardous, non-hazardous, ordinary or unclassified locations.

2. INSTALLATION REQUIREMENTS

This device may only be installed and put into operation by qualified personnel.

This device does not contain serviceable parts. The tripping of an internal fuse is caused by an internal defect.

If damage or malfunction should occur during installation or operation, immediately turn power off and send unit to the factory for inspection.

Mount the unit on a DIN-rail so that the terminals are located on the bottom of the unit. For other mounting orientations see de-rating requirements in this document. See chapter 24.13.

This device is designed for convection cooling and does not require an external fan. Do not obstruct airflow and do not cover ventilation grid (e.g. cable conduits) by more than 15%!

Keep the following installation clearances: 40mm on top, 20mm on the bottom, 5mm on the left and right sides are recommended when the device is loaded permanently with more than 50% of the rated power. Increase this clearance to 15mm in case the adjacent device is a heat source (e.g. another power supply).

A disconnecting means shall be provided for the output of the power supplies when used in applications according to CSA C22.2 No 107.1-01.

⚠ WARNING Risk of electrical shock, fire, personal injury or death.

- Do not use the power supply without proper grounding (Protective Earth). Use the terminal on the input block for earth connection and not one of the screws on the housing.
- Turn power off before working on the device. Protect against inadvertent re-powering.
- Make sure that the wiring is correct by following all local and national codes.
- Do not modify or repair the unit.
- Do not open the unit as high voltages are present inside.
- Use caution to prevent any foreign objects from entering the housing.
- Do not use in wet locations or in areas where moisture or condensation can be expected.
- Do not touch during power-on, and immediately after power-off. Hot surfaces may cause burns.

Notes for use in hazardous location areas:

The power supply is suitable for use in Class I Division 2 Groups A, B, C, D locations and for use in Group II Category 3 (Zone 2) environments and are evaluated according to EN 60079-0:2012 and EN 60079-15:2010.

WARNING EXPLOSION HAZARDS!

Substitution of components may impair suitability for this environment. Do not disconnect the unit or operate the voltage adjustment or S/P jumper unless power has been switched off or the area is known to be non-hazardous.

A suitable enclosure must be provided for the end product which has a minimum protection of IP54 and fulfils the requirements of the EN 60079-15:2010.

3. AC-INPUT

| | | | |
|---------------------------------|------|-------------|-----------------------------------------------------|
| AC input | nom. | AC 100-240V | suitable for TN-, TT- and IT mains networks |
| AC input range | min. | 85-264Vac | continuous operation, no damage between 0 and 85Vac |
| | min. | 264-300Vac | < 500ms |
| Allowed voltage L or N to earth | max. | 300Vac | continuous, IEC 62103 |
| Input frequency | nom. | 50–60Hz | ±6% |
| Turn-on voltage | typ. | 84Vac | steady-state value, see Fig. 3-1 |
| Shut-down voltage | typ. | 33Vac | steady-state value at 7.5A load, see Fig. 3-1 |
| | typ. | 45Vac | steady-state value at 15A load, see Fig. 3-1 |
| | typ. | 62Vac | steady-state value at 30A load, see Fig. 3-1 |

| | | AC 100V | AC 120V | AC 230V | |
|-----------------------------|------|----------------|----------------|----------------|----------------------------------------------------------------------|
| Input current | typ. | 4.0A | 3.3A | 1.8A | at 12V, 30A, see Fig. 3-3 |
| | | 4.4A | 3.7A | 2.0A | at 15V, 27A |
| Power factor ^{*)} | typ. | 0.99 | 0.99 | 0.95 | at 12V, 30A, see Fig. 3-4 |
| Crest factor ^{**)} | typ. | 1.5 | 1.5 | 1.65 | at 12V, 30A |
| Start-up delay | typ. | 900ms | 850ms | 700ms | see Fig. 3-2 |
| Rise time | typ. | 72ms | 72ms | 72ms | at 12V, 30A const. current load, 0mF load capacitance, see Fig. 3-2 |
| | typ. | 120ms | 120ms | 120ms | at 12V, 30A const. current load, 30mF load capacitance, see Fig. 3-2 |
| Turn-on overshoot | max. | 200mV | 200mV | 200mV | see Fig. 3-2 |

*) The power factor is the ratio of the true (or real) power to the apparent power in an AC circuit.

***) The crest factor is the mathematical ratio of the peak value to RMS value of the input current waveform.

Fig. 3-1 **Input voltage range**

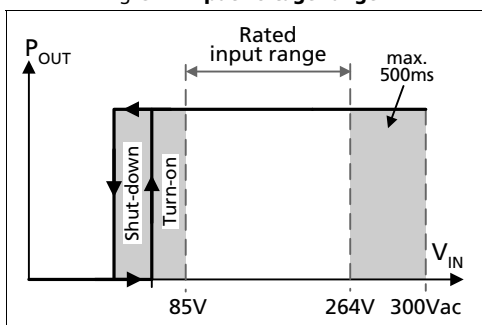


Fig. 3-2 **Turn-on behavior, definitions**

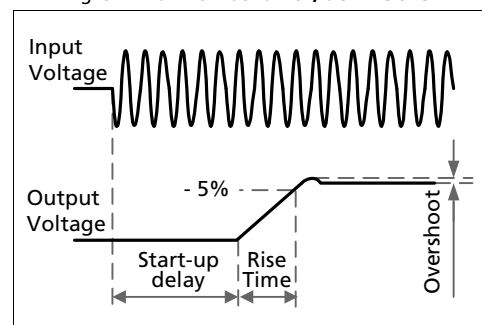


Fig. 3-3 **Input current vs. output load at 12V**

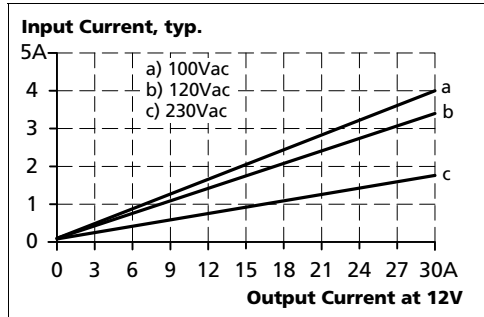
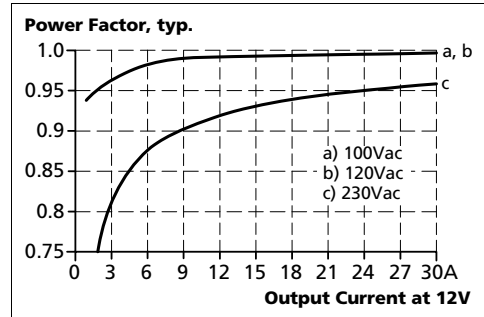


Fig. 3-4 **Power factor vs. output load at 12V**



4. DC-INPUT

Do not operate this power supply with DC-input voltage.

5. INPUT INRUSH CURRENT

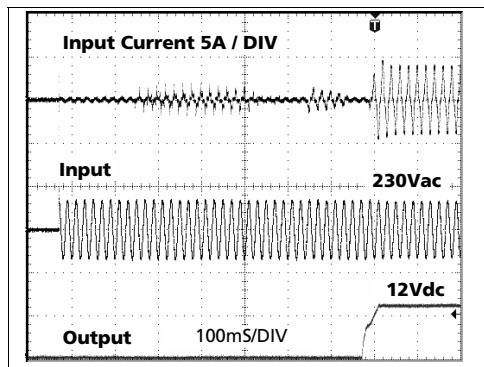
An active inrush limitation circuit limits the input inrush current after turn-on of the input voltage and after short input voltage interruptions.

The charging current into EMI suppression capacitors is disregarded in the first microseconds after switch-on.

| | | AC 100V | AC 120V | AC 230V | |
|------------------------------|------|---------------------|---------------------|---------------------|-------------------------|
| Inrush current ^{*)} | max. | 13A _{peak} | 13A _{peak} | 13A _{peak} | temperature independent |
| | typ. | 11A _{peak} | 9A _{peak} | 7A _{peak} | temperature independent |
| Inrush energy ^{*)} | max. | 2A ² s | 2.5A ² s | 0.5A ² s | temperature independent |

*) Mains interruptions > 500ms

Fig. 5-1 **Typical input inrush current behaviour at nominal load and 25°C ambient**



6. OUTPUT

| | | | |
|--------------------------|------|--------------------------------------------|------------------------------------------------------------------------------------------------------------------------------------------------------------------------|
| Output voltage | nom. | 12V | |
| Adjustment range | min. | 12-15V | guaranteed |
| | max. | 16.5V ^{*)} | at clockwise end position of potentiometer |
| Factory settings | typ. | 12.0V | ±0.2%, at full load, cold unit, in "single use" mode |
| | typ. | 12.0V | ±0.2%, at full load, cold unit, in "parallel use" mode |
| | typ. | 12.5V | at no load, cold unit, in "parallel use" mode |
| Line regulation | max. | 10mV | 85-300Vac |
| Load regulation | max. | 100mV | in "single use" mode: static value, 0A → 30A; see Fig. 6-1 |
| | typ. | 500mV | in "parallel use" mode: static value, 0A → 30A, see Fig. 6-2 |
| Ripple and noise voltage | max. | 100mVpp | 20Hz to 20MHz, 50Ohm |
| Output current | nom. | 30A | at 12V, see Fig. 6-1 |
| | nom. | 27A | at 15V, see Fig. 6-1 |
| | typ. | 120A | up to 15ms, output voltage stays above 10V, see Fig. 6-4, This peak current is available once every five seconds. See chapter 22.1 for more peak current measurements. |
| Output power | nom. | 360W | at 12V |
| | nom. | 405W | at 15V |
| Overload behaviour | | cont. current | output voltage > 6Vdc, see Fig. 6-1 |
| | | Hiccup ^{PLUS} mode ^{**)} | output voltage < 6Vdc, see Fig. 6-1 |
| Short-circuit current | min. | 35A ^{***)} | load impedance <10mOhm, see Fig. 6-3 |
| | max. | 42A ^{***)} | load impedance <10mOhm, see Fig. 6-3 |
| | max. | 12.6A ^{***)} | average (R.M.S.) current, load impedance 25mOhm, see Fig. 6-3 |
| | min. | 120A | up to 15ms, load impedance <10mOhm, see Fig. 6-4 |
| | typ. | 130A | up to 15ms, load impedance <10mOhm, see Fig. 6-4 |
| Output capacitance | typ. | 5 600µF | included inside the power supply |

*) This is the maximum output voltage which can occur at the clockwise end position of the potentiometer due to tolerances. It is not guaranteed value which can be achieved. The typical value is about 15.8V (in "single use" mode).

****) Hiccup^{PLUS} Mode**
At heavy overloads (when output voltage falls below 6V), the power supply delivers continuous output current for 2s. After this, the output is switched off for approx. 18s before a new start attempt is automatically performed. This cycle is repeated as long as the overload exists. If the overload has been cleared, the device will operate normally. See Fig. 6-3.

*****)** Discharge current of output capacitors is not included.

Fig. 6-1 **Output voltage vs. output current, typ.**

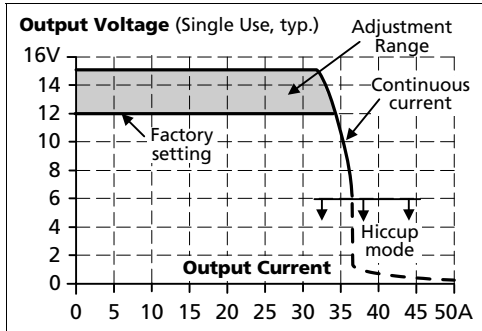


Fig. 6-2 **Output voltage in "parallel use" mode, typ.**

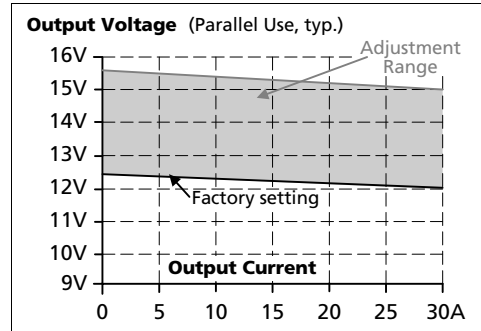


Fig. 6-3 **Short-circuit on output, Hiccup^{PLUS} mode, typ.**

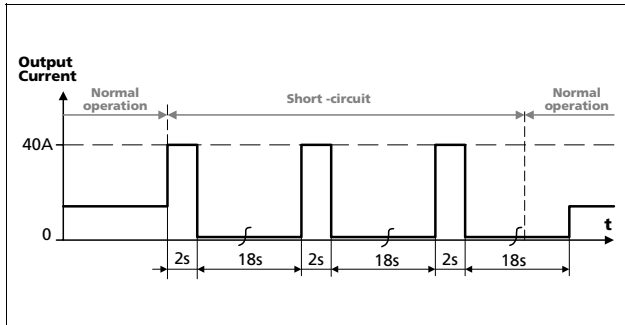
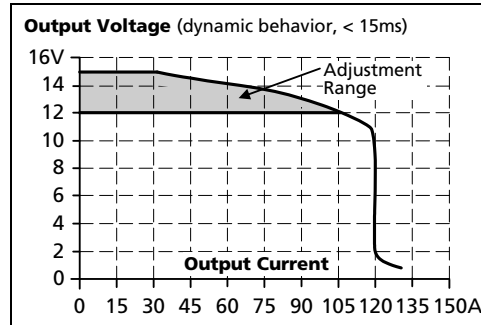


Fig. 6-4 **Dynamic overcurrent capability, typ.**



7. HOLD-UP TIME

| | | AC 100V | AC 120V | AC 230V | |
|--------------|------|---------|---------|---------|---------------------------|
| Hold-up Time | typ. | 80ms | 80ms | 80ms | at 12V, 15A, see Fig. 7-1 |
| | min. | 67ms | 67ms | 67ms | at 12V, 15A, see Fig. 7-1 |
| | typ. | 35ms | 35ms | 35ms | at 12V, 30A, see Fig. 7-1 |
| | min. | 29ms | 29ms | 29ms | at 12V, 30A, see Fig. 7-1 |

Fig. 7-1 Hold-up time vs. input voltage

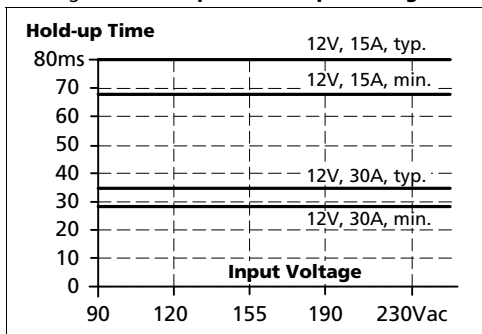
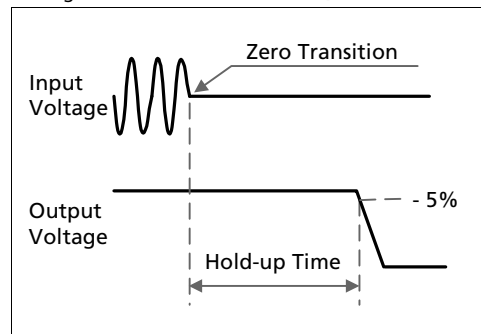


Fig. 7-2 Shut-down behavior, definitions

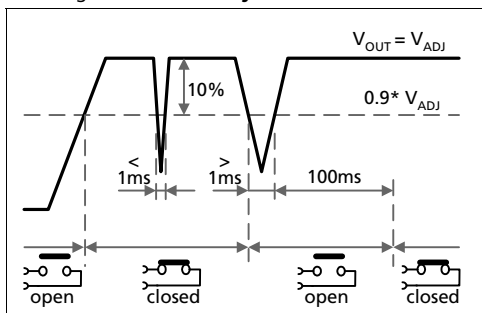


8. DC-OK RELAY CONTACT

This feature monitors the output voltage, which is produced by the power supply itself. It is independent of a back-fed voltage from a unit connected in parallel to the power supply output.

| | | | |
|-------------------|-------------------------------------------------------------------------------------------------------------------------------------------------------------------------------------|----------------------------------|-----------------------|
| Contact closes | As soon as the output voltage reaches 90% of the adjusted output voltage level. | | |
| Contact opens | As soon as the output voltage dips more than 10% below the adjusted output voltage. Short dips will be extended to a signal length of 100ms. Dips shorter than 1ms will be ignored. | | |
| Contact ratings | max. | 60Vdc 0.3A, 30Vdc 1A, 30Vac 0.5A | resistive load |
| | min. | 1mA at 5Vdc | min. permissible load |
| Isolation voltage | See dielectric strength table in section 18. | | |

Fig. 8-1 DC-ok relay contact behavior



9. EFFICIENCY AND POWER LOSSES

| | | AC 100V | AC 120V | AC 230V | |
|----------------------|------|---------|---------|---------|---------------------------------------------------|
| Efficiency | typ. | 90.9% | 91.4% | 92.6% | at 12V, 30A |
| Average efficiency*) | typ. | 90.0% | 90.5% | 91.6% | 25% at 7.5A, 25% at 15A, 25% at 22.5A. 25% at 30A |
| Power losses | typ. | 6.8W | 5.2W | 3.0W | at 12V, 0A |
| | typ. | 19.1W | 18.1W | 15.5W | at 12V, 15A |
| | typ. | 36.0W | 33.9W | 28.8W | at 12V, 30A |

*) The average efficiency is an assumption for a typical application where the power supply is loaded with 25% of the nominal load for 25% of the time, 50% of the nominal load for another 25% of the time, 75% of the nominal load for another 25% of the time and with 100% of the nominal load for the rest of the time.

Fig. 9-1 Efficiency vs. output current at 12V, typ.

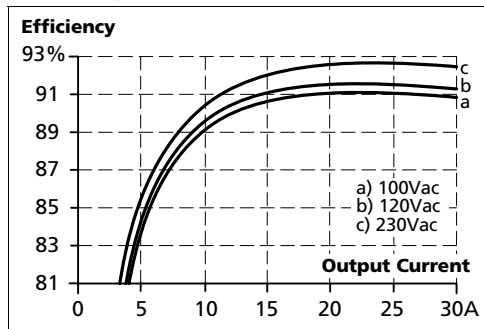


Fig. 9-2 Losses vs. output current at 12V, typ.

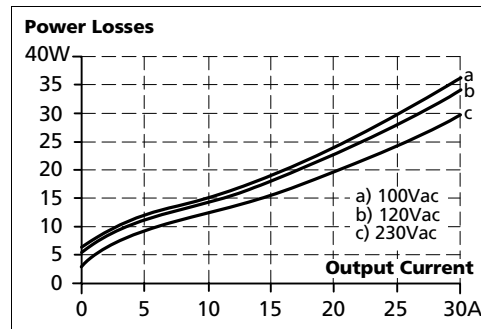


Fig. 9-3 Efficiency vs. input voltage at 12V, 30A, typ.

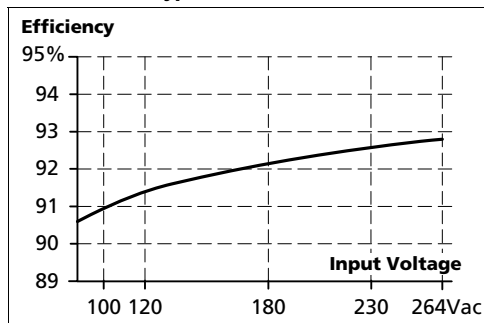


Fig. 9-4 Losses vs. input voltage at 12V, 30A, typ.



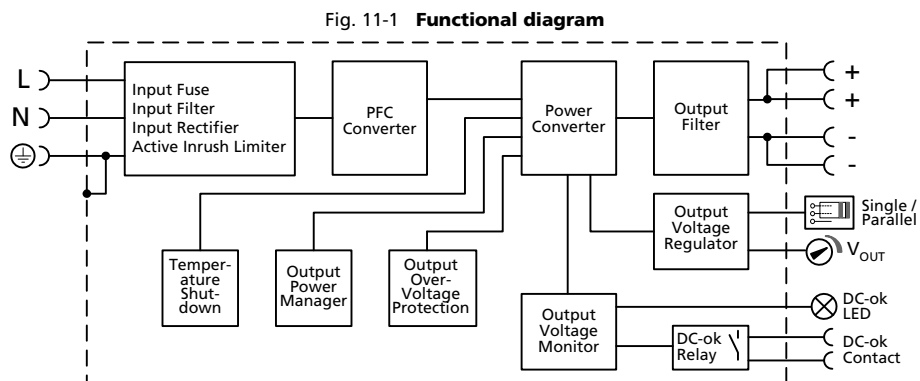
10. LIFETIME EXPECTANCY AND MTBF

| | AC 100V | AC 120V | AC 230V | |
|------------------------------|------------|------------|------------|---------------------------------------------|
| Lifetime expectancy*) | 168 000h*) | 170 000h*) | 174 000h*) | at 12V, 15A and 40°C |
| | 475 000h*) | 481 000h*) | 492 000h*) | at 12V, 15A and 25°C |
| | 50 000h | 50 000h | 54 000h | at 12V, 30A and 40°C |
| | 141 000h*) | 141 000h*) | 153 000h*) | at 12V, 30A and 25°C |
| MTBF **) SN 29500, IEC 61709 | 413 000h | 428 000h | 554 000h | at 12V, 30A and 40°C |
| | 702 000h | 728 000h | 776 000h | at 12V, 30A and 25°C |
| MTBF **) MIL HDBK 217F | 253 000h | 259 000h | 278 000h | at 12V, 30A and 40°C; Ground Benign GB40 |
| | 353 000h | 358 000h | 380 000h | at 12V, 30A and 25°C; Ground Benign GB25 |
| | 61 000h | 62 000h | 68 000h | at 12V, 30A and 40°C; Ground Fixed GF40 |
| | 82 000h | 83 000h | 91 000h | at 12V, 30A and 25°C; Ground Fixed GF25 |

*) The **Lifetime expectancy** shown in the table indicates the minimum operating hours (service life) and is determined by the lifetime expectancy of the built-in electrolytic capacitors. Lifetime expectancy is specified in operational hours and is calculated according to the capacitor's manufacturer specification. The manufacturer of the electrolytic capacitors only guarantees a maximum life of up to 15 years (131 400h). Any number exceeding this value is a calculated theoretical lifetime which can be used to compare devices.

) **MTBF stands for **Mean Time Between Failure**, which is calculated according to statistical device failures, and indicates reliability of a device. It is the statistical representation of the likelihood of a unit to fail and does not necessarily represent the life of a product. The MTBF figure is a statistical representation of the likelihood of a device to fail. A MTBF figure of e.g. 1 000 000h means that statistically one unit will fail every 100 hours if 10 000 units are installed in the field. However, it can not be determined if the failed unit has been running for 50 000h or only for 100h.

11. FUNCTIONAL DIAGRAM



12. TERMINALS AND WIRING

The terminals are IP20 Finger safe constructed and suitable for field- and factory wiring.

| Type | Input and output | DC-OK-Signal |
|-------------------------------|----------------------------------|------------------------------------|
| | screw terminals | spring-clamp terminals |
| Solid wire | 0.5-6mm ² | 0.15-1.5mm ² |
| Stranded wire | 0.5-4mm ² | 0.15-1.5mm ² |
| American Wire Gauge | AWG20-10 | AWG26-14 |
| Max. wire diameter | 2.8mm (including ferrules) | 1.5mm (including ferrules) |
| Wire stripping length | 7mm / 0.28inch | 7mm / 0.28inch |
| Screwdriver | 3.5mm slotted or cross-head No 2 | 3.5mm slotted (to open the spring) |
| Recommended tightening torque | 1Nm, 9lb.in | not applicable |

Instructions:

- Use appropriate copper cables that are designed for minimum operating temperatures of:
60°C for ambient up to 45°C and
75°C for ambient up to 60°C minimum
90°C for ambient up to 70°C minimum.
- Follow national installation codes and installation regulations!
- Ensure that all strands of a stranded wire enter the terminal connection!
- Do not use the unit without PE connection.
- Unused terminal compartments should be securely tightened.
- Ferrules are allowed.

Daisy chaining:

Daisy chaining (jumping from one power supply output to the next) is allowed as long as the average output current through one terminal pin does not exceed 25A. If the current is higher, use a separate distribution terminal block as shown in Fig. 12-2.

Fig. 12-1 Daisy chaining of outputs

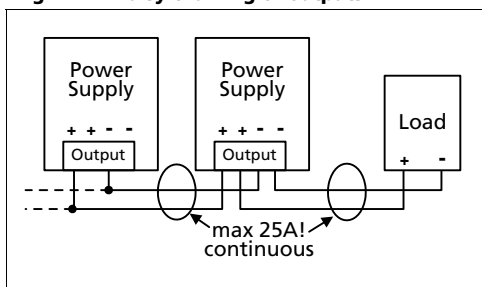
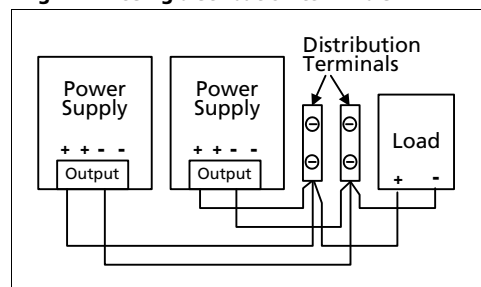
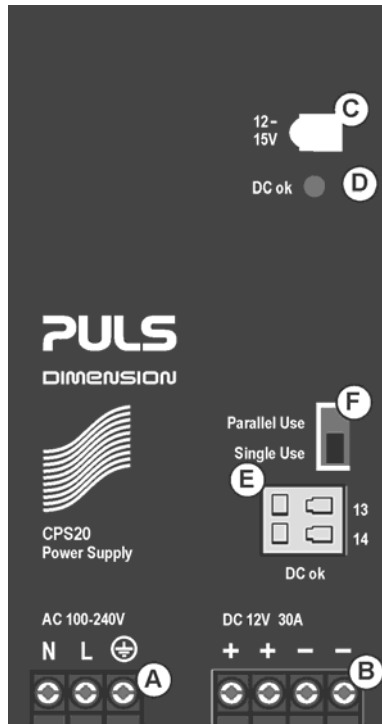


Fig. 12-2 Using distribution terminals



13. FRONT SIDE AND USER ELEMENTS

Fig. 13-1 Front side



A Input Terminals (screw terminals)

- N, L** Line input
- \oplus PE (Protective Earth) input

B Output Terminals (screw terminals, two pins per pole)

- +** Positive output
- Negative (return) output

C Output voltage potentiometer

Open the flap to adjust the output voltage. Factory set: 12.0V

D DC-OK LED (green)

On, when the output voltage is >90% of the adjusted output voltage

E DC-OK Relay Contact (quick-connect spring-clamp terminals)

The DC-OK relay contact is synchronized with the DC-OK LED. See chapter 8 for details.

F "Parallel Use" "Single Use" selector

Set jumper to "Parallel Use" when power supplies are connected in parallel to increase the output power. In order to achieve a sharing of the load current between the individual power supplies, the "parallel use" regulates the output voltage in such a manner that the voltage at no load is approx. 4% higher than at nominal load. See also chapter 22.5. A missing jumper is equal to a "Single Use" mode.

14. EMC

The power supply is suitable for applications in industrial environment as well as in residential, commercial and light industry environment without any restrictions. A detailed EMC report is available on request.

| EMC Immunity | | According generic standards: EN 61000-6-1 and EN 61000-6-2 | | |
|--------------------------|---------------|-------------------------------------------------------------------------------------------------------------------------------------|-------------------------------------------------------------------------------------------|----------------------------------------------------------------------------------------|
| Electrostatic discharge | EN 61000-4-2 | contact discharge air discharge | 8kV 15kV | Criterion A Criterion A |
| Electromagnetic RF field | EN 61000-4-3 | 80MHz-2.7GHz | 20V/m | Criterion A |
| Fast transients (Burst) | EN 61000-4-4 | input lines output lines DC-OK signal (coupling clamp) | 4kV 2kV 2kV | Criterion A Criterion A Criterion A |
| Surge voltage on input | EN 61000-4-5 | L → N L → PE, N → PE | 2kV 4kV | Criterion A Criterion A |
| Surge voltage on output | EN 61000-4-5 | + → - + / - → PE | 1kV 2kV | Criterion A Criterion A |
| Surge voltage on DC-OK | EN 61000-4-5 | DC-OK signal → PE | 1kV | Criterion A |
| Conducted disturbance | EN 61000-4-6 | 0.15-80MHz | 20V | Criterion A |
| Mains voltage dips | EN 61000-4-11 | 0% of 100Vac 40% of 100Vac 70% of 100Vac 0% of 200Vac 40% of 200Vac 70% of 200Vac | 0Vac, 20ms 40Vac, 200ms 70Vac, 500ms 0Vac, 20ms 80Vac, 200ms 140Vac, 500ms | Criterion A Criterion C Criterion A Criterion A Criterion A Criterion A |
| Voltage interruptions | EN 61000-4-11 | 0% of 200Vac (=0V) | 5000ms | Criterion C |
| Voltage sags | SEMI F47 0706 | dips on the input voltage according to SEMI F47 standard 80% of 120Vac (96Vac) 70% of 120Vac (84Vac) 50% of 120Vac (60Vac) | 1000ms 500ms 200ms | Criterion A Criterion A Criterion A |
| Powerful transients | VDE 0160 | over entire load range | 750V, 1.3ms | Criterion A |

Criteria:

- A:** Power supply shows normal operation behavior within the defined limits.
- C:** Temporary loss of function is possible. Power supply may shut-down and restarts by itself. No damage or hazards for the power supply will occur.

| EMC Emission | | According generic standards: EN 61000-6-3 and EN 61000-6-4 | |
|------------------------------------|-----------------------------------------------------|---------------------------------------------------------------|--|
| Conducted emission input lines | EN 55011, EN 55022, FCC Part 15, CISPR 11, CISPR 22 | Class B | |
| Conducted emission output lines**) | IEC/CISPR 16-1-2, IEC/CISPR 16-2-1 | limits for DC power port acc. EN 61000-6-3 not fulfilled ***) | |
| Radiated emission | EN 55011, EN 55022 | Class B | |
| Harmonic input current | EN 61000-3-2 | fulfilled for class A equipment | |
| Voltage fluctuations, flicker | EN 61000-3-3 | fulfilled*) | |

This device complies with FCC Part 15 rules.

Operation is subjected to following two conditions: (1) this device may not cause harmful interference, and (2) this device must accept any interference received, including interference that may cause undesired operation.

- *) tested with constant current loads, non pulsing
- **) for information only, not mandatory for EN 61000-6-3
- ***) Quasi-peak values fulfilled, average values +5dB

| | | |
|------------------------------|----------------------------------------------------------------------------------------|---------------------------------------------------------|
| Switching Frequencies | The power supply has two converters with two different switching frequencies included. | |
| Switching frequency 1 | 70kHz to 140kHz | PFC converter, input voltage and output power dependent |
| Switching frequency 2 | 80kHz to 150kHz | Main converter, output power dependent |

15. ENVIRONMENT

| | | |
|---------------------------------------|------------------------------------------------------------------------------------------------------------------|---------------------------------------------------------------------------------------|
| Operational temperature ^{*)} | -25°C to +70°C (-13°F to 158°F) | reduce output power according Fig. 15-1 |
| Storage temperature | -40 to +85°C (-40°F to 185°F) | for storage and transportation |
| Output de-rating | 0.75A/°C | 60-70°C (140°F to 158°F) |
| Humidity ^{**)} | 5 to 95% r.h. | IEC 60068-2-30 |
| Vibration sinusoidal | 2-17.8Hz: ±1.6mm; 17.8-500Hz: 2g ^{***)} 2 hours / axis | IEC 60068-2-6 |
| Shock | 30g 6ms, 20g 11ms ^{***)} 3 bumps / direction, 18 bumps in total | IEC 60068-2-27 |
| Altitude | 0 to 2000m (0 to 6 560ft) 2000 to 6000m (6 560 to 20 000ft) | without any restrictions reduce output power or ambient temperature, see Fig. 15-2 |
| Altitude de-rating | 30W/1000m or 5°C/1000m | IEC 62103, EN 50178, overvoltage category II > 2000m (6500ft), see Fig. 15-2 |
| Over-voltage category | III II | IEC 62103, EN 50178, altitudes up to 2000m altitudes from 2000m to 6000m |
| Degree of pollution | 2 | IEC 62103, EN 50178, not conductive |
| LABS compatibility | The unit does not release any silicone or other LABS-critical substances and is suitable for use in paint shops. | |
| Audible noise | At load currents below 4A some audible noise will be emitted from the power supply | |

*) Operational temperature is the same as the ambient temperature and is defined as the air temperature 2cm below the unit.

***) Do not energize while condensation is present

***) Tested in combination with DIN-Rails according to EN 60715 with a height of 15mm and a thickness of 1.3mm and standard orientation. Higher levels allowed when using the wall mounting bracket ZM2.WALL

Fig. 15-1 Output current vs. ambient temp.

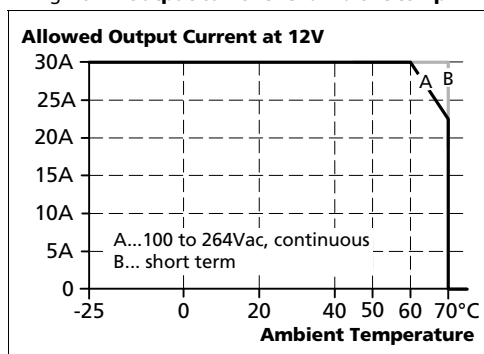
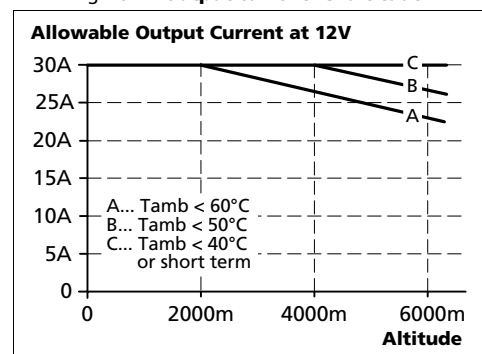


Fig. 15-2 Output current vs. altitude



16. PROTECTION FEATURES

| | | |
|--------------------------------|-------------------------------------------------------------------------|-----------------------------------------------------------------------------------------------------------------------------------------------------------------|
| Output protection | Electronically protected against overload, no-load and short-circuits*) | |
| Output over-voltage protection | typ. 17.3Vdc max. 18Vdc | In case of an internal power supply defect, a redundant circuit limits the maximum output voltage. The output shuts down and automatically attempts to restart. |
| Degree of protection | IP 20 | EN/IEC 60529 Caution: For use in a controlled environment according to CSA 22.2 No 107.1-01. |
| Penetration protection | > 5mm | e.g. screws, small parts |
| Over-temperature protection | yes | Output shut-down with automatic restart |
| Input transient protection | MOV (Metal Oxide Varistor) | |
| Internal input fuse | included | not user replaceable |

*) In case of a protection event, audible noise may occur.

17. SAFETY FEATURES

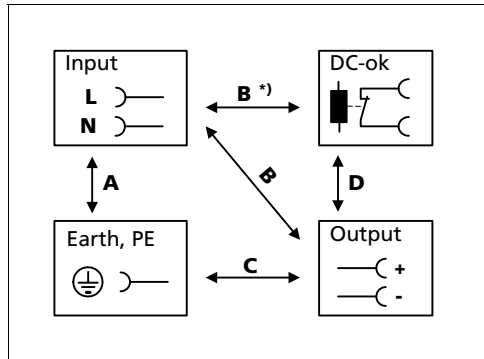
| | | |
|---------------------------------|----------------------------------------------------------------------------------------------------------------------------------------------|----------------------------------------------------------------------------------------------------------------------------------------------------------------------------------------------------------------------------------------------------|
| Input / output separation*) | SELV PELV double or reinforced insulation | IEC/EN 60950-1 IEC/EN 60204-1, EN 50178, IEC 62103, IEC 60364-4-41 |
| Class of protection | I | PE (Protective Earth) connection required |
| Isolation resistance | > 5M Ω | input to output, 500Vdc |
| PE resistance | < 0.1 Ω | |
| Touch current (leakage current) | typ. 0.14mA / 0.37mA typ. 0.20mA / 0.55mA typ. 0.35mA / 0.87mA max. 0.17mA / 0.46mA max. 0.26mA / 0.67mA max. 0.46mA / 1.08mA | 100Vac, 50Hz, TN-,TT-mains / IT-mains 120Vac, 60Hz, TN-,TT-mains / IT-mains 230Vac, 50Hz, TN-,TT-mains / IT-mains 110Vac, 50Hz, TN-,TT-mains / IT-mains 132Vac, 60Hz, TN-,TT-mains / IT-mains 264Vac, 50Hz, TN-,TT-mains / IT-mains |

*) double or reinforced insulation

18. DIELECTRIC STRENGTH

The output voltage is floating and has no ohmic connection to the ground. Type and factory tests are conducted by the manufacturer. Field tests may be conducted in the field using the appropriate test equipment which applies the voltage with a slow ramp (2s up and 2s down). Connect all input-terminals together as well as all output poles before conducting the test. When testing, set the cut-off current settings to the value in the table below.

Fig. 18-1 Dielectric strength












B*) When testing input to DC-OK ensure that the max. voltage between DC-OK and the output is not exceeded (column D). We recommend connecting DC-OK pins and the output pins together when performing the test.

| | | A | B | C | D |
|-------------------------|-----|----------|----------|----------|----------|
| Type test | 60s | 2500Vac | 3000Vac | 1000Vac | 500Vac |
| Factory test | 5s | 2500Vac | 2500Vac | 500Vac | 500Vac |
| Field test | 5s | 2000Vac | 2000Vac | 500Vac | 500Vac |
| Cut-off current setting | | > 15mA | > 15mA | > 20mA | > 1mA |

To fulfil the PELV requirements according to EN60204-1 § 6.4.1, we recommend that either the + pole, the – pole or any other part of the output circuit shall be connected to the protective earth system. This helps to avoid situations in which a load starts unexpectedly or can not be switched off when unnoticed earth faults occur.

19. APPROVALS

| | | |
|-------------------------------------------|----------------------------------------------------------------------------------------------------------------|-------------------------------------------------------------------------------------------------------------------------------------------------------------------------------------------------------------------------------|
| EC Declaration of Conformity |  | The CE mark indicates conformance with the - EMC directive 2004/108/EC, - Low-voltage directive (LVD) 2006/95/EC, - RoHS directive 2011/65/EU and the - ATEX directive 94/9/EC (for use in explosive atmospheres) |
| IEC 60950-1 2 nd Edition |  | CB Scheme, Information Technology Equipment |
| UL 508 |  | Listed for use as Industrial Control Equipment; U.S.A. (UL 508) and Canada (C22.2 No. 107-1-01); E-File: E198865 |
| UL 60950-1 2 nd Edition |  | Recognized for use as Information Technology Equipment, Level 5; U.S.A. (UL 60950-1) and Canada (C22.2 No. 60950-1); E-File: E137006 Applicable for altitudes up to 2000m. |
| ANSI / ISA 12.12.01-2007 Class I Div 2 |  | Recognized for use in Hazardous Location Class I Div 2 T3 Groups A,B,C,D systems; U.S.A. (ANSI / ISA 12.12.01-2007) and Canada (C22.2 No. 213-M1987) |
| EN 60079-0, EN 60079-15 ATEX |  II 3G Ex nA nC II T3 Gc | Approval for use in hazardous locations Zone 2 Category 3G. Number of ATEX certificate: EPS 13 ATEX 1 555 X The power supply must be built-in in an IP54 enclosure. |
| IEC 60079-0, IEC 60079-15 |  | Suitable for use in Class 1 Zone 2 Groups IIa, IIb and IIc locations. Number of IECEX certificate: IECEX EPS 13.0016X |
| Marine |  | GL (Germanischer Lloyd) classified Environmental category: C, EMC2 Marine and offshore applications |
| GOST R |  | Certificate of Conformity for Russia and other GUS countries |

20. PHYSICAL DIMENSIONS AND WEIGHT

| | |
|-------------------------|----------------------------------------------------------------------------------------------------------------------------------------------------------------------------------------------------|
| Weight | 1000g / 2.2lb |
| DIN-Rail | Use 35mm DIN-rails according to EN 60715 or EN 50022 with a height of 7.5 or 15mm. The DIN-rail height must be added to the unit depth (127mm) to calculate the total required installation depth. |
| Installation Clearances | See chapter 2. |

Fig. 20-1 **Front view**

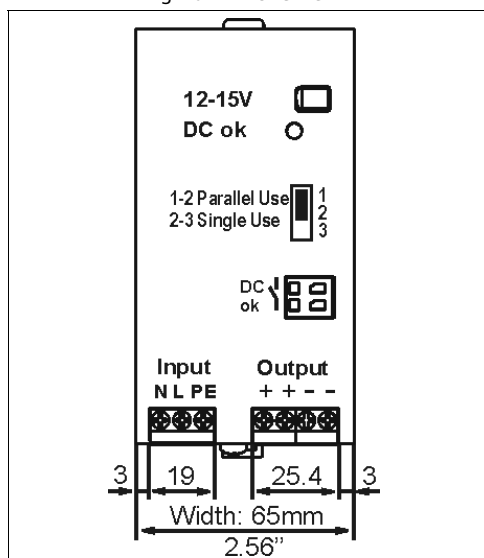
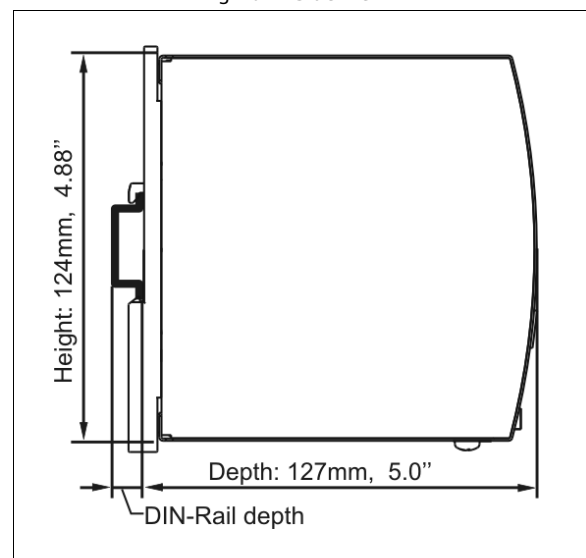


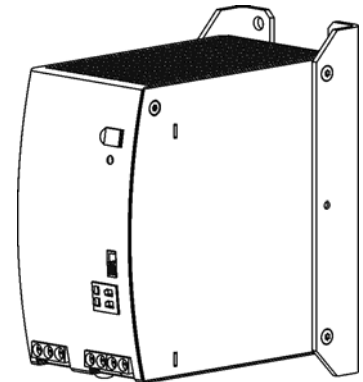
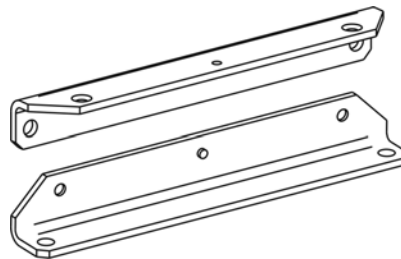
Fig. 20-2 **Side view**



21. ACCESSORIES

21.1. ZM2.WALL - WALL MOUNTING BRACKET

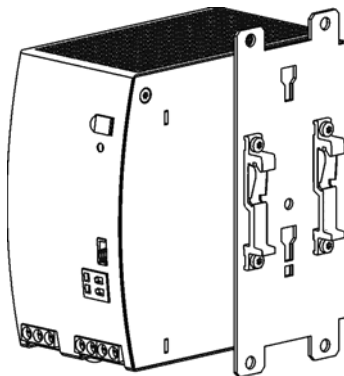
This bracket is used to mount the power supply onto a flat surface without utilizing a DIN-Rail.



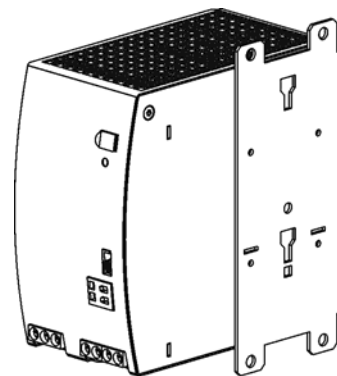
21.2. ZM13.SIDE - SIDE MOUNTING BRACKET

This bracket is used to mount DIMENSION units sideways with or without utilizing a DIN-Rail. The two aluminum brackets and the black plastic slider of the unit have to be detached, so that the steel brackets can be mounted.

For sideways DIN-rail mounting, the removed aluminum brackets and the black plastic slider need to be mounted on the steel bracket.



Side mounting with DIN-rail brackets



Side mounting without DIN-rail brackets

21.3. REDUNDANCY MODULES

YR80.242 – (2x 40A Inputs, 1x 80A output)



The YR80.242 is the preferred redundancy module for the CPS20.121 power supply. It is equipped with two input channels, which are individually decoupled by utilizing mosfet technology. Using mosfets instead of diodes reduces the heat generation and the voltage drop between input and output. The YR80.242 does not require an additional auxiliary voltage and is self-powered even in case of a short circuit across the output.

Due to the low power losses, the unit is very slender and only requires 46mm width on the DIN-rail.

YR40.245 – (1x 40A input, 1x 40A output)



The YR40.245 is a 40A single channel redundancy module, which is equipped with a plug connector on the output. The plug connector allows replacing the power supply or the redundancy module while the system is running. The plug connector avoids that the output wires can touch and short the load circuit.

The YR40.245 is very slender and only requires 46mm width on the DIN-rail. It also utilizes mosfet technology instead of diodes for low heat generation and a minimal voltage drop between input and output. It does not require an additional auxiliary voltage and is self-powered even in case of a short circuit across the output.

Fig. 21-1 Typical 1+1 Redundant configuration for 30A with a dual redundancy module

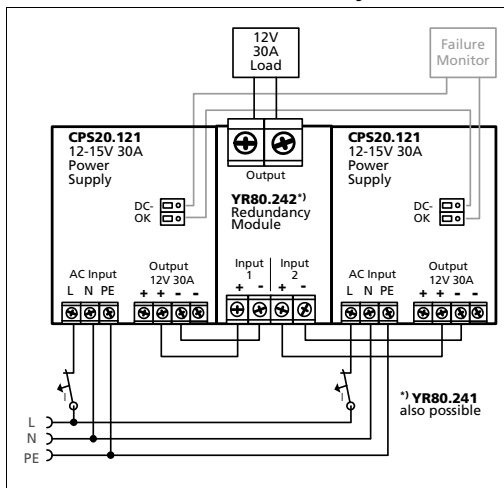
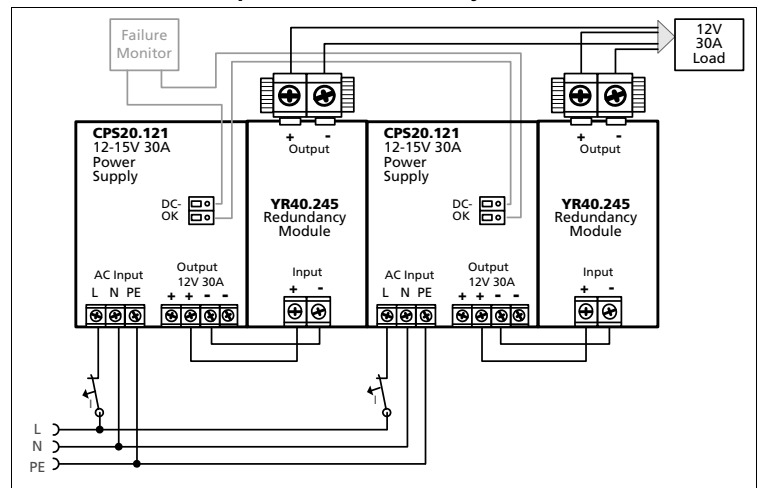


Fig. 21-2 Typical N+1 or 1+1 Redundant configuration for 30A with multiple YR40.245 redundancy modules



22. APPLICATION NOTES

22.1. PEAK CURRENT CAPABILITY

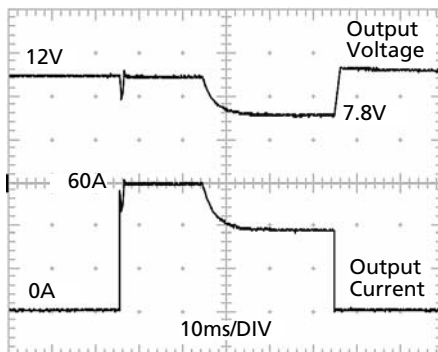
The power supply can deliver peak currents (up to several milliseconds) which are higher than the specified short term currents.

This helps to start current demanding loads. Solenoids, contactors and pneumatic modules often have a steady state coil and a pick-up coil. The inrush current demand of the pick-up coil is several times higher than the steady-state current and usually exceeds the nominal output current (including the PowerBoost). The same situation applies when starting a capacitive load.

The peak current capability also ensures the safe operation of subsequent circuit breakers of load circuits. The load branches are often individually protected with circuit breakers or fuses. In case of a short or an overload in one branch circuit, the fuse or circuit breaker need a certain amount of over-current to open in a timely manner. This avoids voltage loss in adjacent circuits.

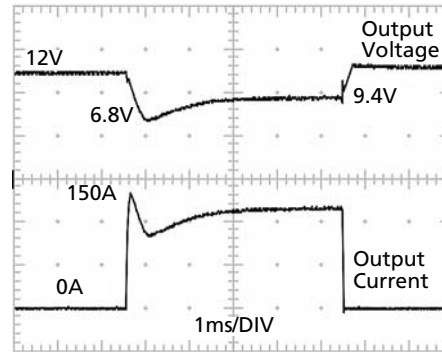
The extra current (peak current) is supplied by the power converter and the built-in large sized output capacitors of the power supply. The capacitors get discharged during such an event, which causes a voltage dip on the output. The following two examples show typical voltage dips:

Fig. 22-1 **Peak load with 2x the nominal current for 50ms, typ.**



60A Peak load (resistive) for 50ms
Output voltage dips from 12V to 7.8V.

Fig. 22-2 **Peak load with 5x the nominal current for 5ms, typ.**



150A Peak load (resistive) for 5ms
Output voltage dips from 12V to 9.4V.

| | | | |
|---------------------------|------|------------------|---------------------------------|
| Peak current voltage dips | typ. | from 12V to 7.8V | at 60A for 50ms, resistive load |
| | typ. | from 12V to 9.0V | at 150A for 2ms, resistive load |
| | typ. | from 12V to 9.4V | at 150A for 5ms, resistive load |

22.2. BACK-FEEDING LOADS

Loads such as decelerating motors and inductors can feed voltage back to the power supply. This feature is also called return voltage immunity or resistance against Back- E.M.F. (Electro Magnetic Force).

This power supply is resistant and does not show malfunctioning when a load feeds back voltage to the power supply. It does not matter whether the power supply is on or off.

The maximum allowed feed-back-voltage is 16Vdc. The absorbing energy can be calculated according to the built-in large sized output capacitor which is specified in chapter 6.

22.3. EXTERNAL INPUT PROTECTION

The unit is tested and approved for branch circuits up to 30A (UL) and 32A (IEC). An external protection is only required if the supplying branch has an ampacity greater than this. Check also local codes and local requirements. In some countries local regulations might apply.

If an external fuse is necessary or utilized, minimum requirements need to be considered to avoid nuisance tripping of the circuit breaker. A minimum value of 10A B- or C-Characteristic breaker should be used.

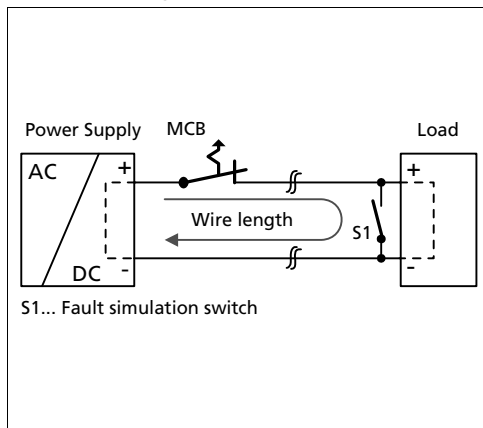
22.4. OUTPUT CIRCUIT BREAKERS

Standard miniature circuit breakers (MCB's or UL 1077 circuit breakers) are commonly used for AC-supply systems and may also be used on 12V branches.

MCB's are designed to protect wires and circuits. If the ampere value and the characteristics of the MCB are adapted to the wire size that is used, the wiring is considered as thermally safe regardless of whether the MCB opens or not.

To avoid voltage dips and under-voltage situations in adjacent 12V branches which are supplied by the same source, a fast (magnetic) tripping of the MCB is desired. A quick shutdown within 10ms is necessary corresponding roughly to the ride-through time of PLC's. This requires power supplies with high current reserves and large output capacitors. Furthermore, the impedance of the faulty branch must be sufficiently small in order for the current to actually flow. The best current reserve in the power supply does not help if Ohm's law does not permit current flow. The following table has typical test results showing which B- and C-Characteristic MCBs magnetically trip depending on the wire cross section and wire length.

Fig. 22-3 Test circuit



Maximal wire length^{*)} for a fast (magnetic) tripping:

| | 0.75mm ² | 1.0mm ² | 1.5mm ² | 2.5mm ² |
|--------------|---------------------|--------------------|--------------------|--------------------|
| C-3A | 9m | 12m | 18m | 26m |
| C-4A | 7m | 10m | 14m | 22m |
| C-6A | 4m | 6m | 10m | 14m |
| C-8A | 3m | 5m | 8m | 12m |
| C-10A | 3m | 4m | 7m | 10m |
| B-6A | 8m | 11m | 14m | 24m |
| B-10A | 5m | 7m | 10m | 17m |
| B-13A | 4m | 6m | 9m | 14m |
| B-16A | 3m | 5m | 7m | 11m |

*) Don't forget to consider twice the distance to the load (or cable length) when calculating the total wire length (+ and - wire).

22.5. PARALLEL USE TO INCREASE OUTPUT POWER

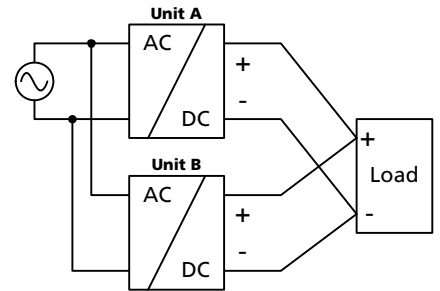
CPS20.121 power supplies can be paralleled to increase the output power. The output voltage of all power supplies shall be adjusted to the same value ($\pm 100\text{mV}$) in "Single use" mode with the same load conditions on all units, or the units can be left with the factory settings. After the adjustments, the jumper on the front of the unit shall be moved from "Single use" to "Parallel use", in order to achieve load sharing. The "Parallel use" mode regulates the output voltage in such a manner that the voltage at no load is approx. 4% higher than at nominal load. See also chapter 6. If no jumper is plugged in, the unit is in "Single use" mode. Factory setting is "Single use" mode.

If more than three units are connected in parallel, a fuse or circuit breaker with a rating of 40A or 50A is required on each output. Alternatively, a diode or redundancy module can also be utilized.

Energize all units at the same time to avoid the overload Hiccup^{PLUS} mode. It also might be necessary to cycle the input power (turn-off for at least five seconds), if the output was in Hiccup^{PLUS} mode due to overload or short circuits and the required output current is higher than the current of one unit.

Keep an installation clearance of 15mm (left / right) between two power supplies and avoid installing the power supplies on top of each other. Do not use power supplies in parallel in mounting orientations other than the standard mounting orientation (terminals on bottom of the unit) or in any other condition where a derating of the output current is required (e.g. altitude, above 60°C, ...).

Pay attention that leakage current, EMI, inrush current, harmonics will increase when using multiple power supplies.



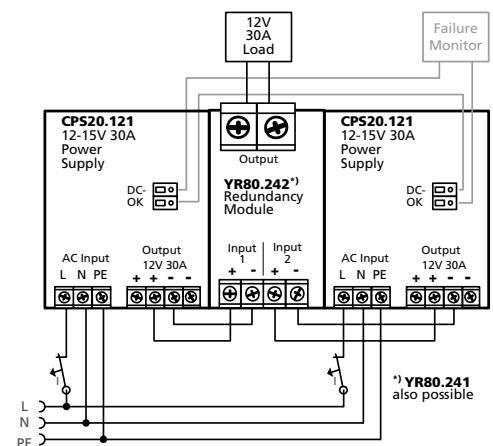
22.6. PARALLEL USE FOR REDUNDANCY

Power supplies can be paralleled for redundancy to gain higher system availability. Redundant systems require a certain amount of extra power to support the load in case one power supply unit fails. The simplest way is to put two power supplies in parallel. This is called a 1+1 redundancy. In case one power supply unit fails, the other one is automatically able to support the load current without any interruption. Redundant systems for a higher power demand are usually built in a N+1 method. E.g. five power supplies, each rated for 30A are paralleled to build a 120A redundant system. For N+1 redundancy the same restrictions apply as for increasing the output power, see also section 22.5.

Please note: This simple way to build a redundant system does not cover failures such as an internal short circuit in the secondary side of the power supply. In such a case, the defective unit becomes a load for the other power supplies and the output voltage can not be maintained any more. This can be avoided by utilizing redundancy modules, which have decoupling devices (diodes or mosfets) included. Further information and wiring configurations can be found in chapter 21.3.

Recommendations for building redundant power systems:

- Use separate input fuses for each power supply.
- Set the power supply into "Parallel use" mode.
- Monitor the individual power supply units. Therefore, use the DC-OK relay contact of the CPS20 power supply.
- It is desirable to set the output voltages of all units to the same value ($\pm 100\text{mV}$) or leave it at the factory setting.
-



22.7. SERIES OPERATION

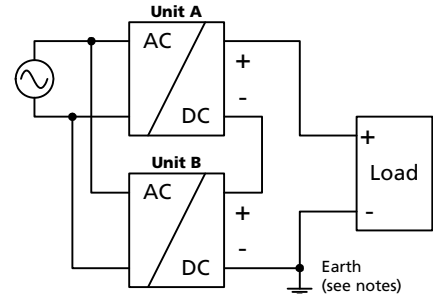
Power supplies of the same type can be connected in series for higher output voltages. It is possible to connect as many units in series as needed, providing the sum of the output voltage does not exceed 150Vdc. Voltages with a potential above 60Vdc are not SELV any more and can be dangerous. Such voltages must be installed with a protection against touching.

Earthing of the output is required when the sum of the output voltage is above 60Vdc.

Avoid return voltage (e.g. from a decelerating motor or battery) which is applied to the output terminals.

Keep an installation clearance of 15mm (left / right) between two power supplies and avoid installing the power supplies on top of each other. Do not use power supplies in series in mounting orientations other than the standard mounting orientation (terminals on bottom of the unit).

Pay attention that leakage current, EMI, inrush current, harmonics will increase when using multiple power supplies.



22.8. INDUCTIVE AND CAPACITIVE LOADS

The unit is designed to supply any kind of loads, including capacitive and inductive loads. If extreme large capacitors, such as EDLCs (electric double layer capacitors or "UltraCaps") with a capacitance > 1.25F are connected to the output, the unit might charge the capacitor in the Hiccup^{PLUS} mode (see chapter 6).

22.9. CHARGING OF BATTERIES

The power supply can be used to charge 12V lead-acid or maintenance free batteries.

Instructions for charging batteries:

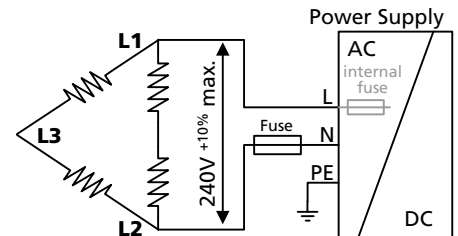
- Set output voltage (measured at no load and at the battery end of the cable) very precisely to the end-of-charge voltage.

| | | | | |
|-----------------------|-------|--------|-------|--------|
| End-of-charge voltage | 13.9V | 13.75V | 13.6V | 13.45V |
| Battery temperature | 10°C | 20°C | 30°C | 40°C |

- Use a 40A or 50A circuit breaker (or blocking diode) between the power supply and the battery.
- Ensure that the output current of the power supply is below the allowed charging current of the battery.
- The return current to the power supply (battery discharge current) is typ. 42mA when the power supply is switched off (except in case a blocking diode is utilized).

22.10. OPERATION ON TWO PHASES

The power supply can also be used on two-phases of a three-phase-system. Such a phase-to-phase connection is allowed as long as the supplying voltage is below $240V^{+10\%}$.



22.11. USE IN A TIGHTLY SEALED ENCLOSURE

When the power supply is installed in a tightly sealed enclosure, the temperature inside the enclosure will be higher than outside. In such situations, the inside temperature defines the ambient temperature for the power supply.

The following measurement results can be used as a reference to estimate the temperature rise inside the enclosure.

The power supply is placed in the middle of the box, no other heat producing items are inside the box

| | |
|--------------------------------|-------------------------------------------------------------------------------------|
| Enclosure: | Rittal Typ IP66 Box PK 9522 100, plastic, 254x180x165mm |
| Load: | 12V, 24A; (=80%) load is placed outside the box |
| Input: | 230Vac |
| Temperature inside enclosure: | 58.5°C (in the middle of the right side of the power supply with a distance of 2cm) |
| Temperature outside enclosure: | 23.3°C |
| Temperature rise: | 35.2K |

22.12. MOUNTING ORIENTATIONS

Mounting orientations other than all terminals on the bottom require a reduction in continuous output power or a limitation in the maximum allowed ambient temperature. The amount of reduction influences the lifetime expectancy of the power supply. Therefore, two different derating curves for continuous operation can be found below:

Curve A1 Recommended output current.

Curve A2 Max allowed output current (results in approximately half the lifetime expectancy of A1).

Fig. 22-4
Mounting Orientation A
(Standard orientation)

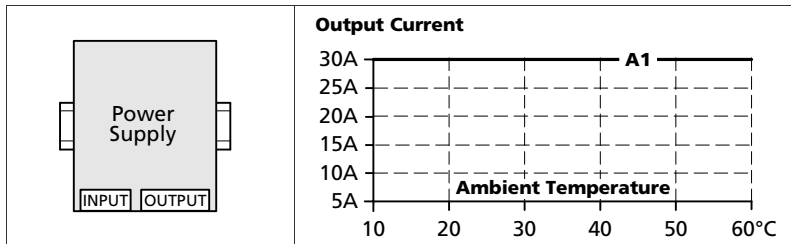


Fig. 22-5
Mounting Orientation B
(Upside down)

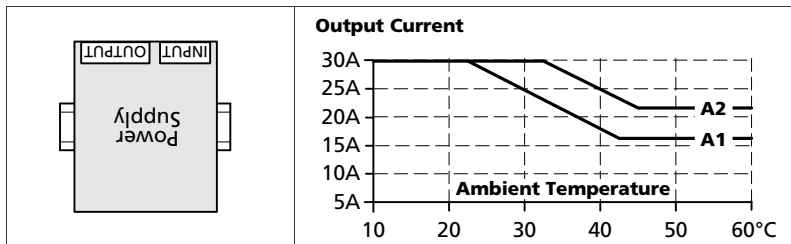


Fig. 22-6
Mounting Orientation C
(Table-top mounting)

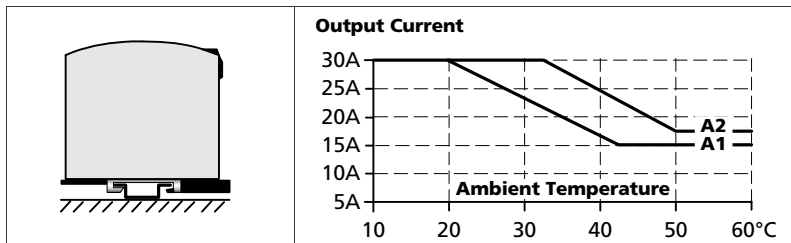


Fig. 22-7
Mounting Orientation D
(Horizontal cw)

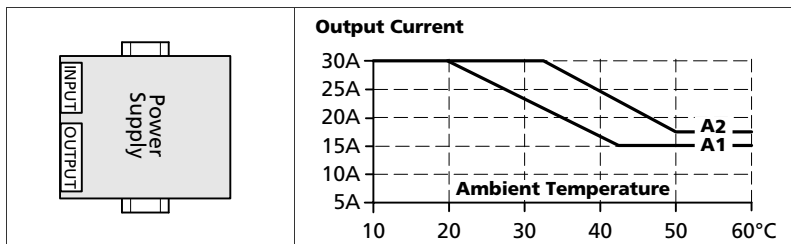


Fig. 22-8
Mounting Orientation E
(Horizontal ccw)

